

# **EMBE**

## **PRECISION CYLINDERS**

### **Series A3000 Cylinder** (A.S.A.E. INTERCHANGEABLE)

- Standard Bore Size - 2 1/2 “through 4”**
- Standard Rod Size - 1 1/4 “through” 1 3/4**
- Cylinders of fully stainless steel construction available on request**
- Factory tested prior to delivery**
- Factory installed, fitted and tested load holding & directional control valves**



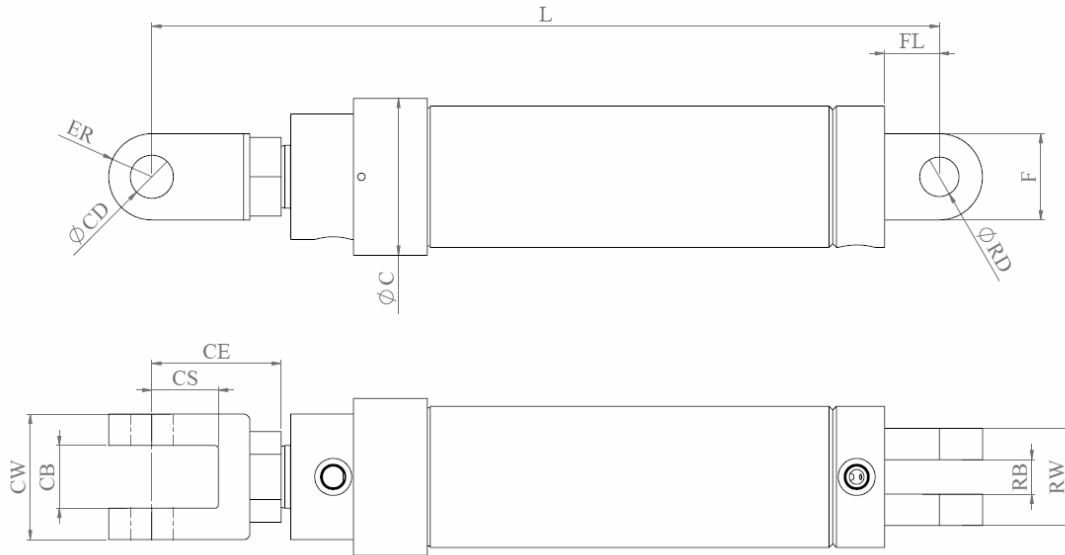
#### **DISTRIBUTED BY**

**Oilpath Hydraulics Pty Ltd**  
[www.oilpathhydraulics.com.au](http://www.oilpathhydraulics.com.au)  
[sales@oilpathhydraulics.com.au](mailto:sales@oilpathhydraulics.com.au)

**Queensland Office**  
12 Falkinder Ave, Paradise Point, QLD 4216  
Ph 61 [07] 5564 2926 | Fax 61 [07] 5564 2927

**South Australia Office**  
21 Deloraine Road, Edwardstown, SA 5039  
Ph 61 [08] 8277 4933 | Fax 61 [08] 8277 9126

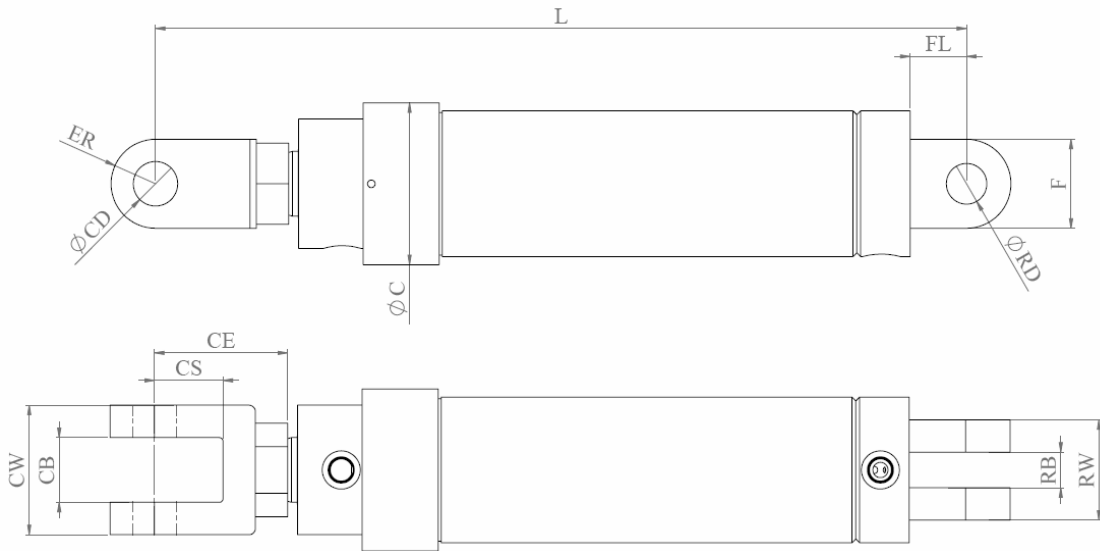
## Cylinder dimension



CYLINDER SIZE Ø BORE x Ø ROD	STROKE	L CLOSED CENTERS	Ø C	CB	Ø CD mm	CE mm	CS mm	CW mm	ER mm	F mm	FL mm	RB mm	RW mm	PORT SIZE*
2.5" x 1.25"	6"	18.25"	80	28.58	25.55 <sup>+0.05</sup> <sub>-0</sub>	82.5	51	68	51	50.8	48	28	60	3/4" UNO
	8"	20.25"												
	12"	24.25"												
	16"	28.25"												
2.5" x 1.5"	18"	30.25"												
	20"	32.25"												
	24"	36.25"												
	30"	42.25"												
	36"	48.25"												
48"	60.25"													

CYLINDER SIZE Ø BORE x Ø ROD	STROKE	L CLOSED CENTERS	Ø C mm	CB mm	Ø CD mm	CE mm	CS mm	CW mm	ER mm	F mm	FL mm	RB mm	RW mm	PORT SIZE*
3" x 1.5"	6"	18.25"	95	28.58	25.55 <sup>+0.05</sup> <sub>-0</sub>	82.5	51	68	51	50.8	48	28	60	3/4" UNO
	8"	20.25"												
	12"	24.25"												
	16"	28.25"												
	18"	30.25"												
	24"	36.25"												
	30"	42.25"												
	36"	48.25"												

\*BSPP PORT AVAILABLE UPON REQUEST

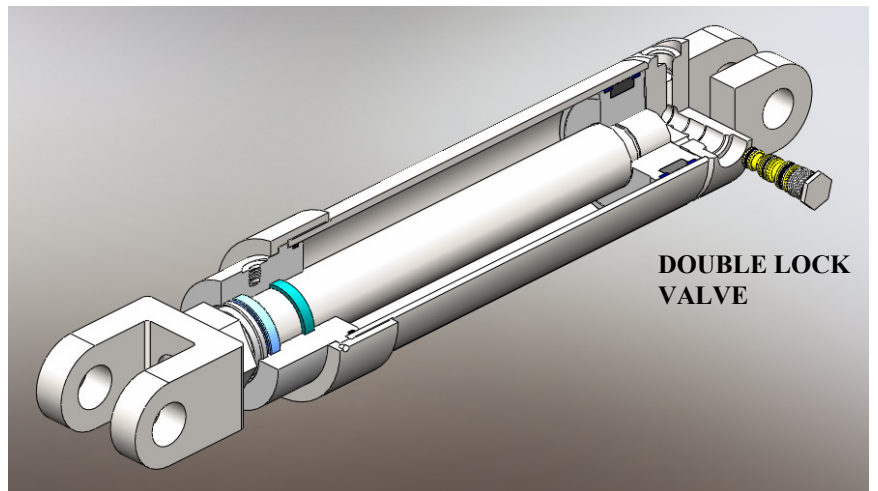


CYLINDER SIZE Ø BORE x Ø ROD	STROKE	L CLOSED CENTERS	Ø C	CB	Ø CD mm	CE mm	CS mm	CW mm	ER mm	F mm	FL mm	RB mm	RW mm	PORT SIZE*
3.5" x 1.5"	8"	20.25"	106	28.58	25.55 <sup>+0.05</sup> <sub>-0</sub>	82.5	51	68	51	50.8	48	28	60	3/4" UNO
	12"	24.25"												
	16"	28.25"												
	18"	30.25"												
	24"	36.25"												
	30"	42.25"												
36"	48.25"													

CYLINDER SIZE Ø BORE x Ø ROD	STROKE	L CLOSED CENTERS	Ø C mm	CB mm	Ø CD mm	CE mm	CS mm	CW mm	ER mm	F mm	FL mm	RB mm	RW mm	PORT SIZE*
4" x 1.75"	8"	20.25"	125	31.75	31.9 <sup>+0.05</sup> <sub>-0</sub>	82.5	51	88	70	70	48	28	78	3/4" UNO
	12"	24.25"												
	16"	28.25"												
	18"	30.25"												
	24"	36.25"												
	30"	42.25"												
36"	48.25"													

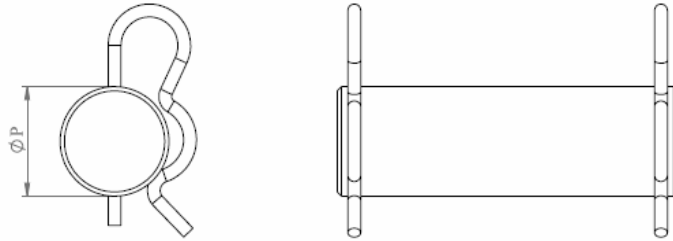
**FACTORY FITTED AND TESTED CARTRIDGE VALVES**

- PROPORTIONAL DIRECTIONAL CONTROL VALVES
- SINGLE OR DOUBLE LOAD HOLDING VALVES
- PILOT OPERATED CHECK VALVES



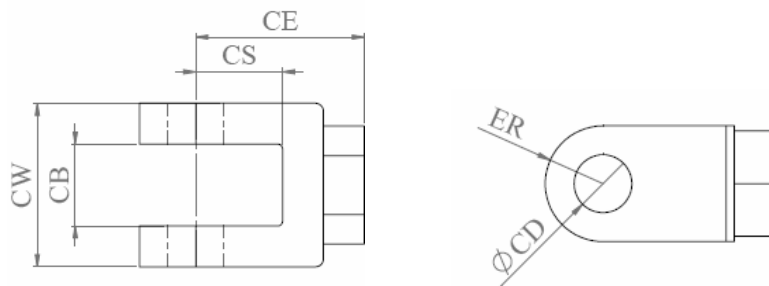
\*BSPP PORT AVAILABLE UPON REQUEST

## Cylinder Accessories



### Clevis pin

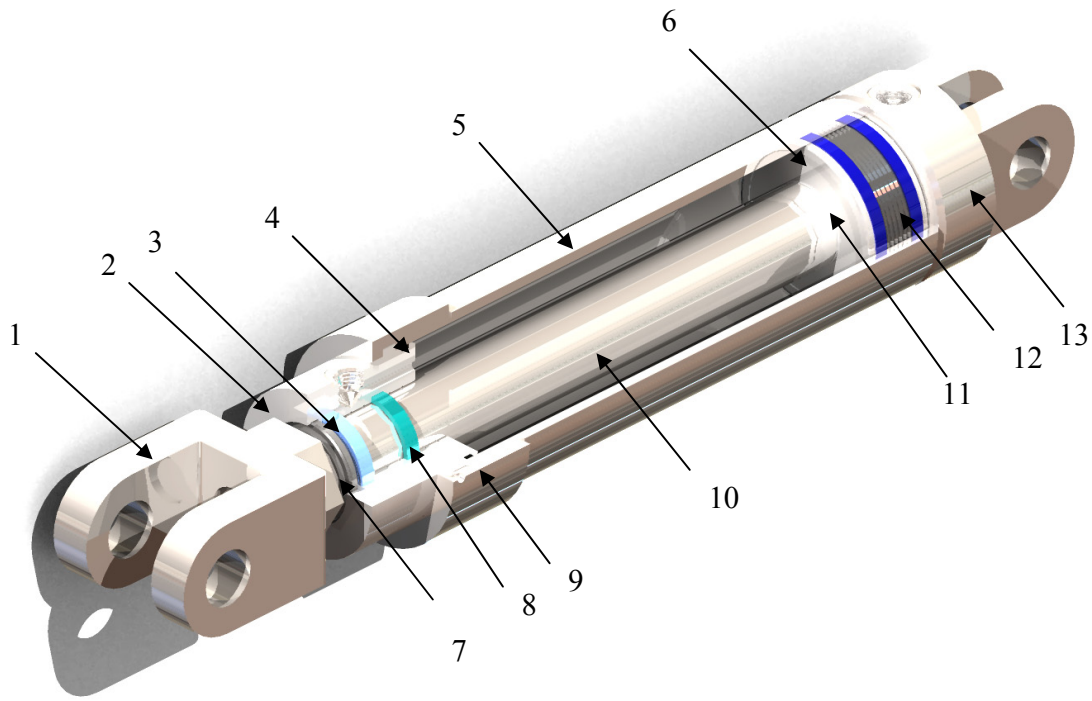
Cylinder size	Part Number	Ø P
2.5" x 1.25"	APP 1000	25.50 <sup>+0</sup> <sub>-0.05</sub>
2.5" x 1.5"	APP 1250	25.50 <sup>+0</sup> <sub>-0.05</sub>
3" x 1.5"	APP 1250	25.50 <sup>+0</sup> <sub>-0.05</sub>
3.5" x 1.5"	APP 1250	25.50 <sup>+0</sup> <sub>-0.05</sub>
4" x 1.75"	APP 1500	31.85 <sup>+0</sup> <sub>-0.05</sub>



### Clevis

Cylinder size	Part Number	Ø CD	CB	CE	CS	CW	ER	THREAD
2.5" x 1.25"	AFC 1000	25.55 <sup>+0.05</sup> <sub>-0</sub>	28.58	82.5	51	68	51	1"-14 UN
2.5" x 1.5"	AFC 1250	25.55 <sup>+0.05</sup> <sub>-0</sub>	28.58	82.5	51	68	51	1-1/4"-12 UN
3" x 1.5"	AFC 1250	25.55 <sup>+0.05</sup> <sub>-0</sub>	28.58	82.5	51	68	51	1-1/4"-12 UN
3.5" x 1.5"	AFC 1250	25.55 <sup>+0.05</sup> <sub>-0</sub>	28.58	82.5	51	68	51	1-1/4"-12 UN
4" x 1.75"	AFC 1500	31.9 <sup>+0.05</sup> <sub>-0</sub>	31.75	82.5	51	88	70	1-1/2"-12 UN

## Maintenance data



Item	Description	Material	Item	Description	Material
1	Clevis	Steel	8	Wear strip	Steel
2	Gland bush	Cast iron	9	Retainer	Steel
3	Rod seal	Steel	10	Piston rod	Steel
4	"O" ring seal	Nitrile	11	O' ring seal	Nitrile
5	Barrel	Steel	12	Piston seal	Polyurethane / Nitrile
6	Piston	Steel	13	End cap	Steel
7	Wiper	PTFE / Nitrile			

## Seal kits

Cylinder size	Part Number
2.5" x 1.25"	SKA 3000 250 125
2.5" x 1.5"	SKA 3000 250 150
3" x 1.5"	SKA 3000 300 150
3.5" x 1.5"	SKA 3000 350 150
4" x 1.75"	SKA 3000 400 175