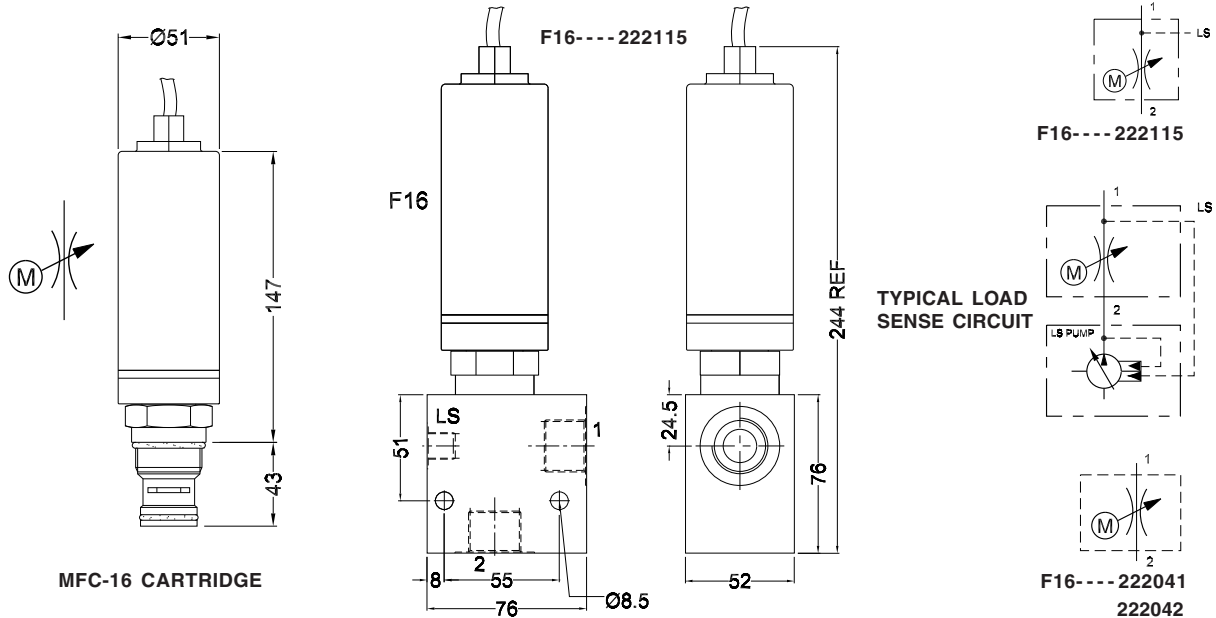




Motorized Flow Control Valve - F16

Page Number
50.01.30



FUNCTION

■ Motorized Flow Control cartridge for restrictive type flow control, non pressure compensated.

APPLICATIONS

- Any circuit requiring restrictive flow control with electric remote control.
- The MFC cartridge is an excellent valve to use for remote flow control of a load sense (pressure and flow compensated pump). See schematic.

OPERATING PRESSURE

■ 210 bar maximum (350 bar with factory approval).

FLOW RANGE

(Based on 6.9 bar delta P with valve fully open)

- 0-75 l/min. -20 Option
- 0-132 l/min. -35 Option
- 0-189 l/min. -50 Option

CONSTRUCTION

- Nose, body and spool: steel, exposed parts plated
- Motor container assembly anodized aluminium
- Pressure balanced, bidirectional flow

OPERATING SPEED

(Fully closed to fully open @ 12V DC)

- 3.5 seconds (-03 option)
- 7 seconds (-07 option)
- 24 seconds (-24 option)
- 48 seconds (-48 option)

VOLTAGE

- 12V DC
- For 24V DC operation, add 100-ohm resistor in series with motor

CURRENT DRAW

■ Less than 120 MA typical @ 12V DC

CARTRIDGE WEIGHT

■ MFC-16: 0.73 kgs.

CAVITY

■ SFP 16-2, Sterling CAV06-2, Industry common cavity 1 5/16-12 UN thread x 1.13 nose diameter

ORDERING CODE

