

# OILPATH

## OP80

### HYDRAULIC DOUBLE SELECTOR VALVE

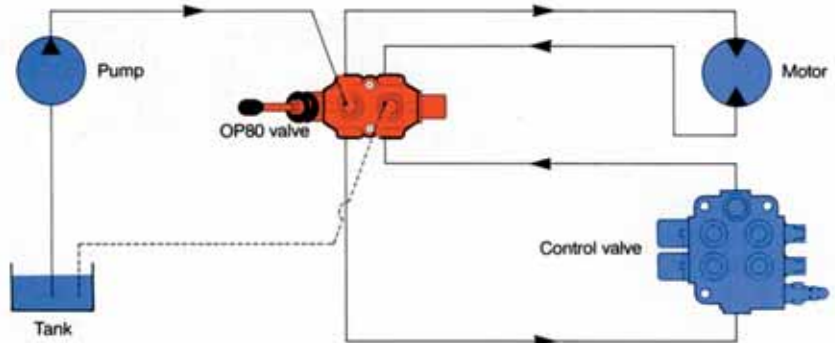


For directing oil flow  
to either of two hydraulic circuits

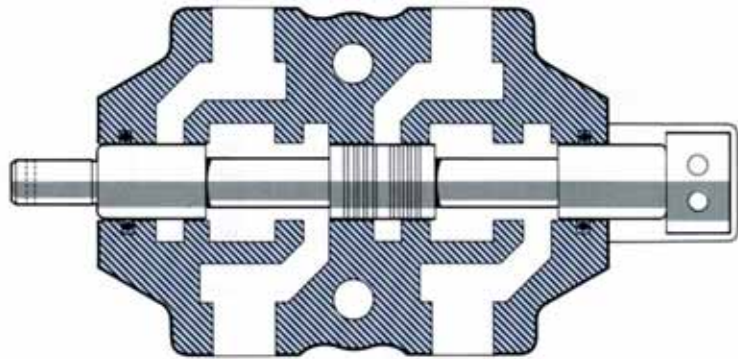
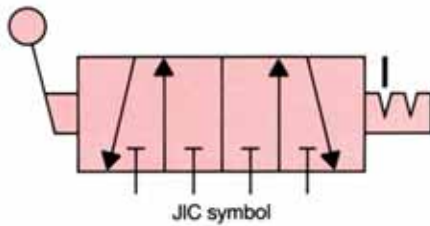
- 2-position detent and rugged handle ensure positive spool positioning
- Balance grooves in spool allow easier spool shift under pressure
- Flow capacity up to 25 gpm (113 litres)
- Working pressure up to 3000 psi (20.68 MPa)
- Standard port size ½" BSP-T

## Typical application

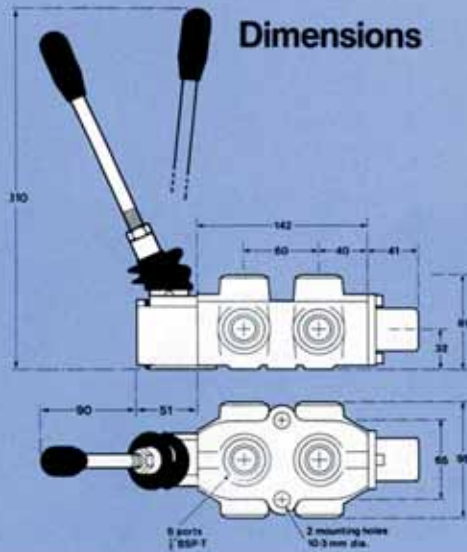
In this circuit OP80 valve is directing hydraulic pressure from pump to either a motor or a control valve.



## Schematic



## Dimensions



Convenient linkage enables easy repositioning of handle



## Options (available on special order)

- 3/8" UNF 14 ports (18 gpm, Imp.)
- 1 1/16" UNF 12 ports (25 gpm, Imp.)
- 3/4" BSPT (25 gpm, Imp.)
- Spring offset (order code **S/O**)
- Fitment of air control OP103 (order code **A**)

## Warranty

*Oilpath products are warranted to be free of defects in material or workmanship.*

*This Warranty voids all other warranties, whether expressed or implied, and shall be in effect for six months. The Warranty is limited to replacement or repair, excluding seals or damage arising from misuse or incorrect fitting.*

*The Company accepts no liability for faults caused by improper use or faulty maintenance of the product, or its operation beyond recommended specifications or contingent or consequential loss or damage under any situation whatsoever.*

*All unauthorised modifications to the product automatically voids the conditions of this Warranty.*

Manufactured by:

**OILPATH** PTY. LTD.  
INC. IN SOUTH AUSTRALIA  
A.C.N. 007 683 472

21 Deloraine Road,  
EDWARDSTOWN, South Australia.  
PO Box 132, EDWARDSTOWN 5039.  
Ph: (08) 8277 4715 Fax: (08) 8277 9126