

**OILPATH PTY LTD**

21 DELORAINE ROAD, EDWARDSTOWN  
PHONE (08) 8277 4933 FAX (08) 8277 9126 A.C.N. 007 683 472

TITLE **OP722 80 L/MIN PRESSURE COMP. FLOW CONTROL BLOCK WITH UNLOADER & RELIEF**

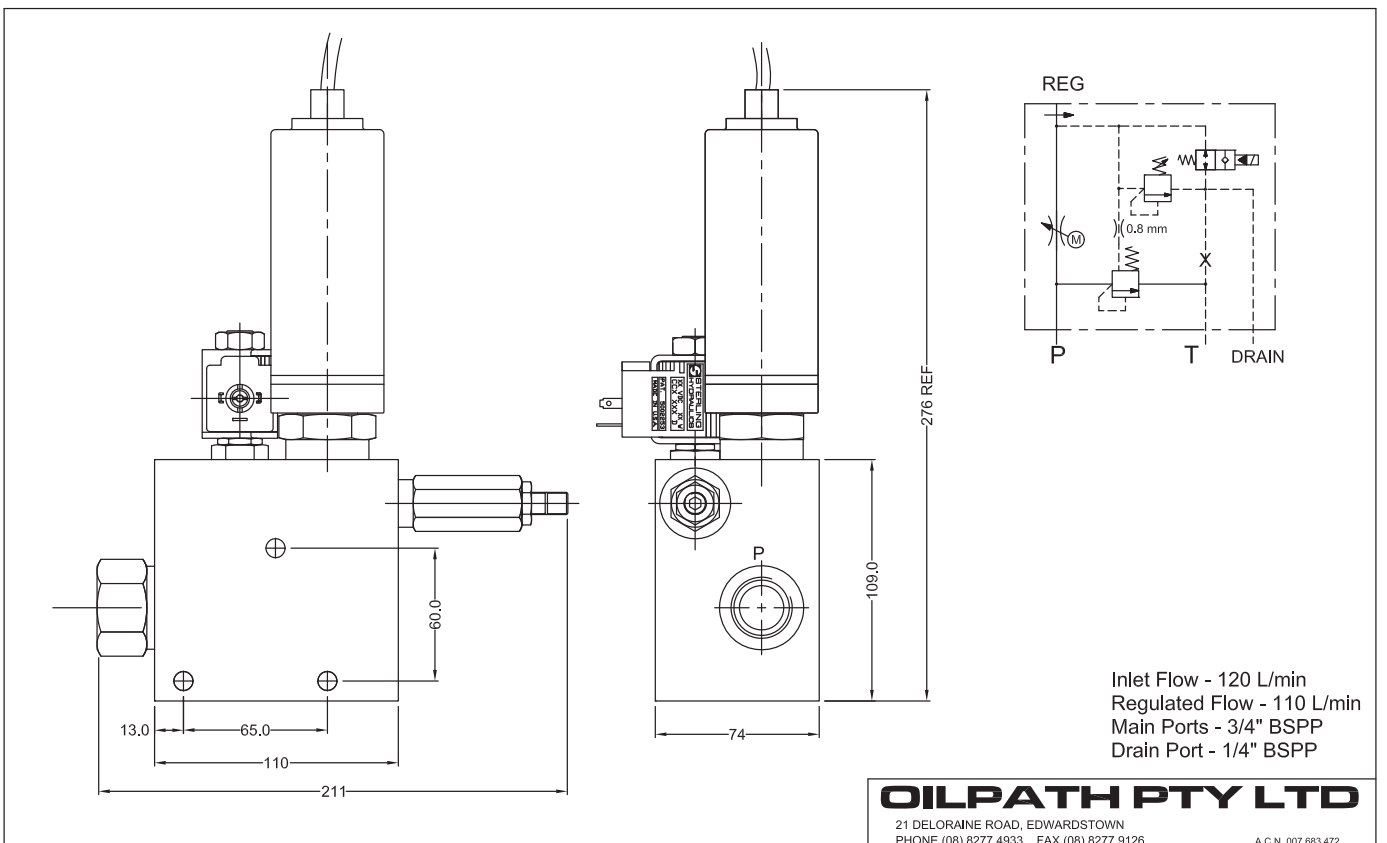
DRG. NO. **687269** MATL: ALLOY 2011T6  
DRN: S. BURDON DATE: 8/11/00

0 REV **A3** CKD: DATE:  
**A** APP: DATE:

REVISION DETAILS		
ECN	DATE	DESCRIPTION

**NOTES**  
1. ALL DIMENSIONS IN mm.  
2. BREAK ALL SHARP EDGES  
3. ALL DRILL DEPTHS ARE TO SHOULDER  
4. MATT ANODISE - NATURAL FINISH  
5.  
6.  
7.

**GENERAL TOLERANCE**  
0. = ±0.5 mm  
0.0 = ±0.25 mm  
0.00 = ±0.10 mm  
0.000 = ±0.02 mm  
√ 1.6  
⊙ 0.10  
UNLESS STATED OTHERWISE  
SCALE: 1:1 SHEET 2 OF 2



**OILPATH PTY LTD**

21 DELORAINE ROAD, EDWARDSTOWN  
PHONE (08) 8277 4933 FAX (08) 8277 9126 A.C.N. 007 683 472

TITLE **OP723 120 L/MIN PRESSURE COMP. FLOW CONTROL BLOCK WITH UNLOADER & RELIEF**

DRG. NO. **687271** MATL: ALLOY 2011T6  
DRN: S. BURDON DATE: 8/11/00

0 REV **A3** CKD: DATE:  
**A** APP: DATE:

REVISION DETAILS		
ECN	DATE	DESCRIPTION

**NOTES**  
1. ALL DIMENSIONS IN mm.  
2. BREAK ALL SHARP EDGES  
3. ALL DRILL DEPTHS ARE TO SHOULDER  
4. MATT ANODISE - NATURAL FINISH  
5.  
6.  
7.

**GENERAL TOLERANCE**  
0. = ±0.5 mm  
0.0 = ±0.25 mm  
0.00 = ±0.10 mm  
0.000 = ±0.02 mm  
√ 1.6  
⊙ 0.10  
UNLESS STATED OTHERWISE  
SCALE: 1:1 SHEET 2 OF 2