

OILPATH

OP25

Proportionally air actuated
Hydraulic control valve



- Specifically designed for cab operated tip truck applications.
- Provides smooth, infinitely variable lowering control for any load.
- High oil flow capacity and working pressure.

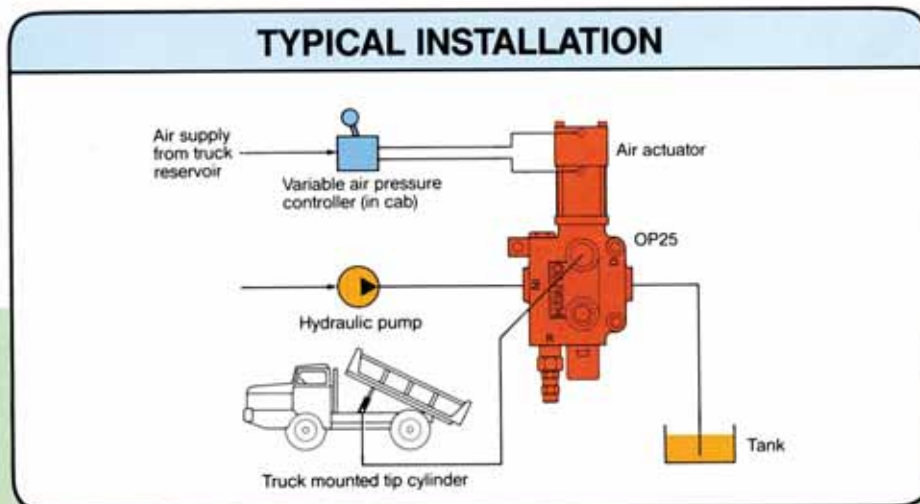
Your truck's air supply can now give smoother control over any load.

The unique features of the OP25 valve with its specially designed air actuator gives positive fingertip control over the smooth lowering of any load.

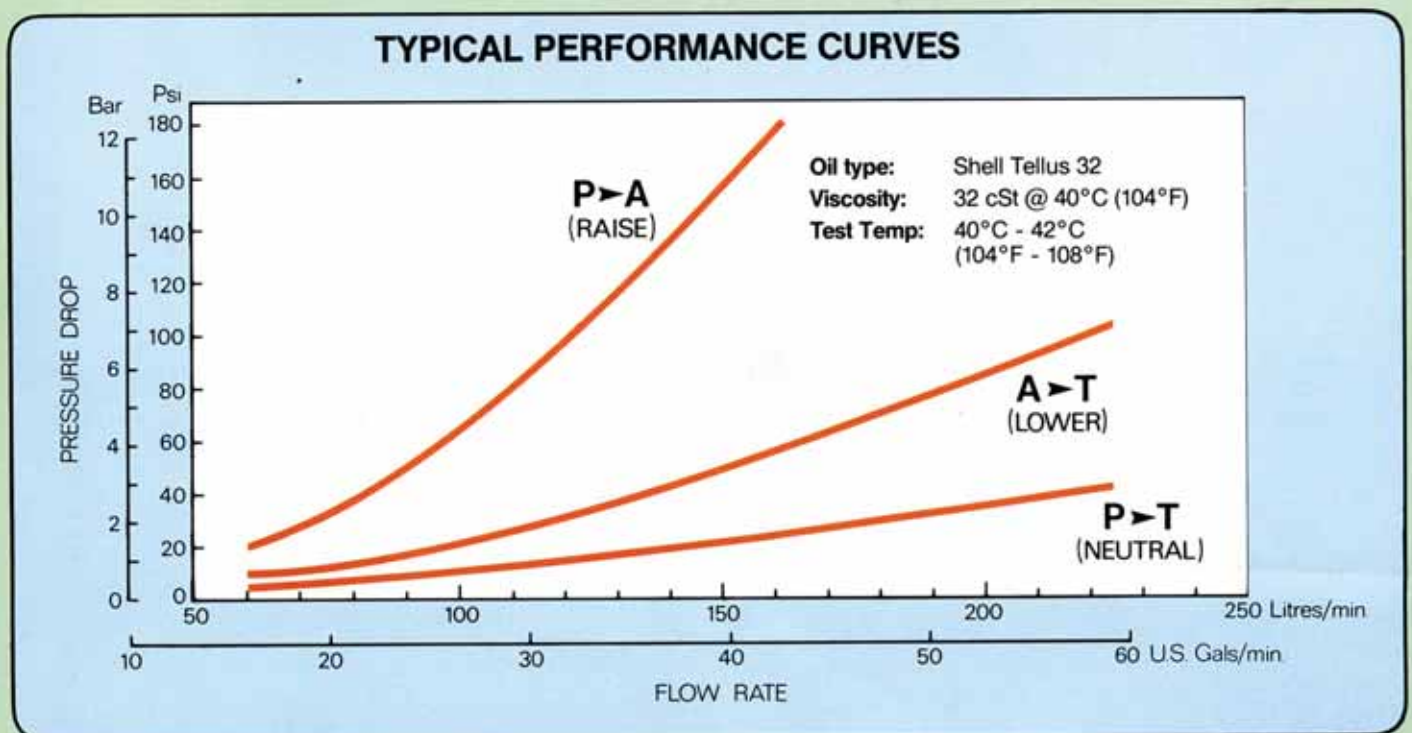
Under load, the rate of tip tray descent is infinitely variable — which means there are no sudden jumps or abrupt changes in lowering speed.

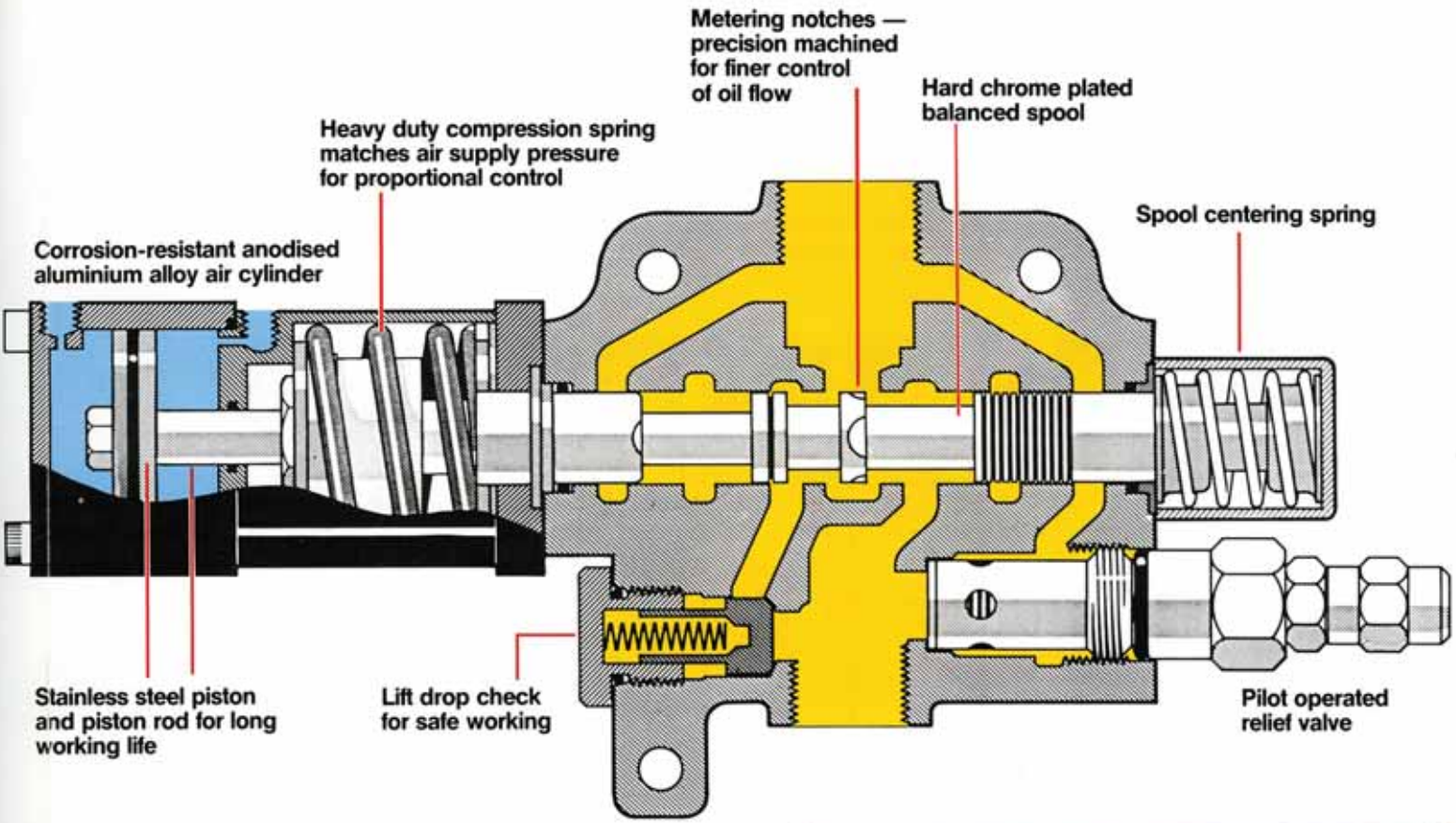
The OP25 achieves its smooth operation by coupling a small diameter spool with a large air control system. A powerful balancing spring in the actuator is matched to the controlling air pressure, enabling the spool to move smoothly in the valve body without hindrance from the effects of internal oil flow and pressure.

Combined with a standard cab-mounted variable air control unit, the OP25 provides the benefits of a smoother tipping operation without the need for costly and expensive fluid lines or mechanical linkages.

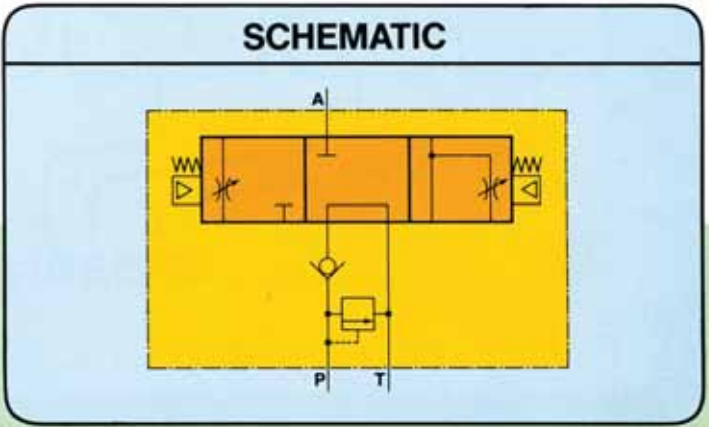


Information given herein is correct at the time of publication. The manufacturers are engaged in continuous product development and reserve the right to change specifications and procedures without prior notice.



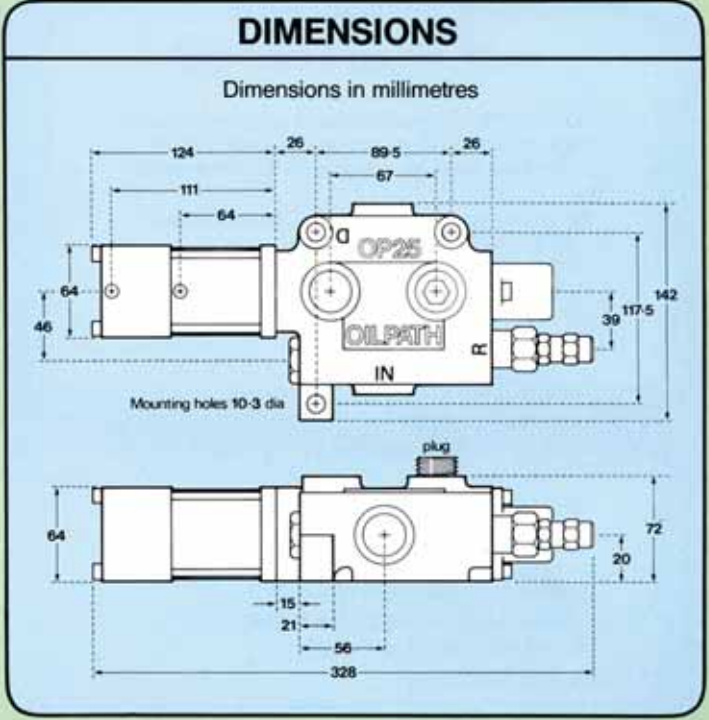


ANOTHER
OILPATH
 PRECISION
 PRODUCT
 DESIGNED & MANUFACTURED
 IN AUSTRALIA



SPECIFICATIONS

Nominal flow capacity	160 litres/min. (42 US gals/min.).
Max. working pressure	3000 psi (206 bar).
Spool	Hard chrome plated.
Port size (standard)*	Inlet: 3/4" BSPT Cylinder: 3/4" BSPT Outlet: 1" BSPT.
Air port size	1/8" NPT.
Air pressure requirement	90 psi minimum.
Air pressure control range	16 - 85 psi.
Control method	By variable pressure cab control linked to special Oilpath air actuator. Optional: Morse cable system.
Overall dimensions (including actuator)	Length: 328mm (12.9"). Width: 142mm (5.6"). Height: 72mm (2.8").
Weight (incl. actuator)	6.3 kg (13.9 lb.).



*Refer ordering section (back page) for optional port specifications.

ORDERING INFORMATION

OILPATH OP25 control valves may be ordered by quoting a number/letter group made up in sequence as follows: Valve model, spool configuration, pressure relief valve type, relief setting, port thread type, option(s) required.

VALVE MODEL	SPOOL CONFIGURATION	PRESSURE RELIEF VALVE TYPE		RELIEF SETTING	PORT THREAD TYPE			OPTIONS	
OP25	S Single acting spring centred.	R1	Pilot operated spool type: Gives small differential between cracking and full flow. Requires 25 micron filtration.	Specify in the range between 1000 psi to 3000 psi max.	Inlet	Cyl.	Outlet	A Standard model. Air actuator controlled. Valve spool is proportionally positioned in relation to air pressure.	
			W		1 1/16" UNF	1 1/16" UNF	1 1/16" UNF		
		X	3/4" BSPT		3/4" BSPT	1" BSPT			
		Y	3/4" BSPP		3/4" BSPP	1" BSPP			
		R2	Direct acting: Dirt tolerant. Gives high pressure gain with respect to inlet flow.		Z	3/4" NPT	3/4" NPT	1" NPT	C Cable adaptor kit to suit Morse controls. Please advise cable length when ordering. Controller also supplied with kit if required.
					NOTE: X is standard			BF Bottom face outlet for direct mounting of valve to top of tank.	

Example: **OP25 S R1 2000 X A**

Single acting spool.
Pilot operated relief valve, 2000 psi setting.
Port threads: Inlet 3/4" BSPT, cylinder 3/4" BSPT, outlet 1" BSPT.
Air actuator controlled.

FURTHER INFORMATION

OILPATH Pty Ltd manufactures a comprehensive range of additional precision hydraulic valves. Contact our local representative for information on:

- OP10 Compact directional control valve.
- OP20 Multi-spool, series/parallel control valve.
- OP27 Selector valve.
- OP80 Double selector valve.
- OP101 Double lock valve.
- OP103 Air actuated control unit.

WARRANTY

Oilpath products are warranted to be free of defects in material or workmanship.

This Warranty voids all other warranties, whether expressed or implied, and shall be in effect for six months from date of purchase.

The Warranty is limited to replacement or repair, excluding seals or damage arising from misuse or incorrect installation.

The Company accepts no liability for faults caused by improper use or faulty maintenance of the product, or its operation beyond recommended specifications, or contingent or consequential loss or damage under any situation whatsoever.

All unauthorised modifications to the product automatically voids the conditions of this Warranty.

Manufactured by:

OILPATH INCORPORATED IN SOUTH AUSTRALIA PTY. LTD.

21 Deloraine Road,
EDWARDSTOWN, South Australia.
PO Box 132, EDWARDSTOWN 5039.
Ph: (08) 277 4715 Telex: AA88071
Fax: (08) 277 9126