

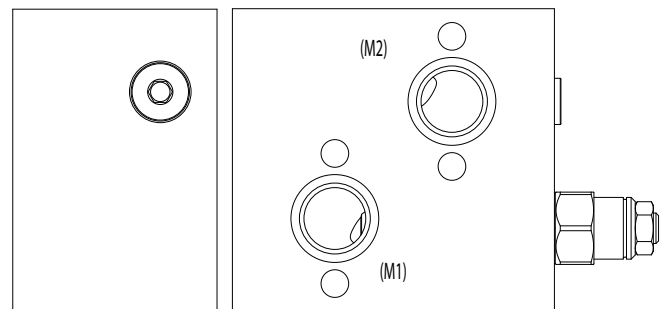
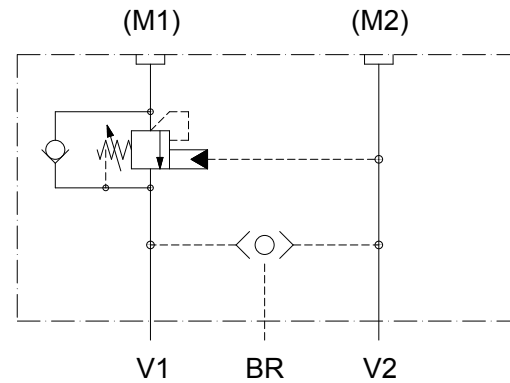
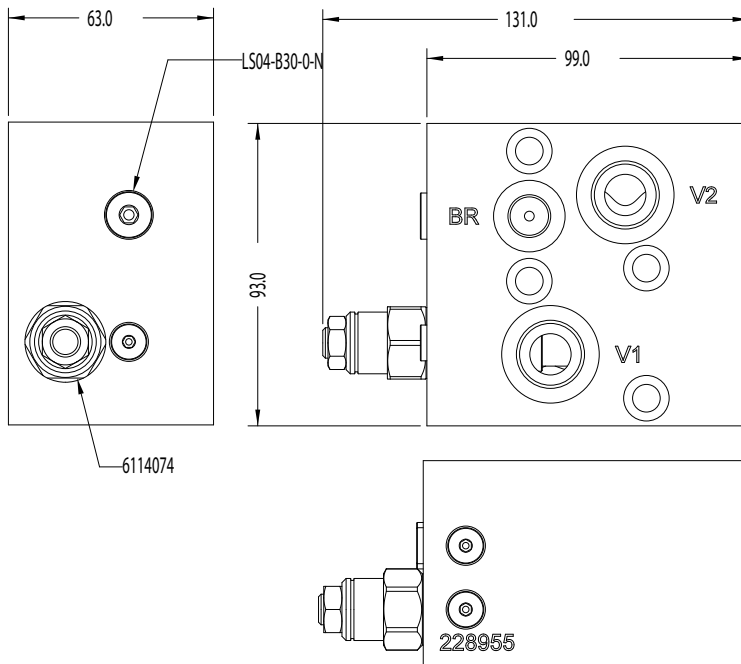
**Single Counterbalance Valve with Brake Release for OMP/OMR Mount**

Page Number  
**88.02.03**

**FEATURES:**

- Aluminium alloy grade 2011 T6, Hard Anodised
- Maximum working pressure 210 Bar
- Max flow 60 Ltrs min.
- Danfoss OMP/OMR Mounting Interface

<b>MODEL</b>	<b>OP161</b>
<b>BODY NO</b>	<b>228955</b>



**PORTS V1, V2, - 1/2" BSP-P**  
**PORTS BR - 1/4" BSP-P**  
**PORTS M1, M2 - DANFOSS OMP/OMR INTERFACE**

**SPECIFICATIONS**

VALVE	MODEL	DESCRIPTION	CAVITY
Shuttle	LS04-B30-0-N	Brake Shuttle Valve 3.8 l/min	VC04-B3
Load Control	CBCA LHN	Load Control 60 l/min 3:1 Pilot Ratio	T114

Consult Oilpath Hydraulics for selection of alternate model cartridge valves

**ORDERING CODE**

**OP161 - A**

Valve series ↑  
 A = CBCA LHN 3:1 Pilot Ratio  
 B = CBCH LJN 10:1 Pilot Ratio