

P, T PORTS - 3/4" BSPP
G PORT - 1/4" BSPP

OILPATH PTY LTD

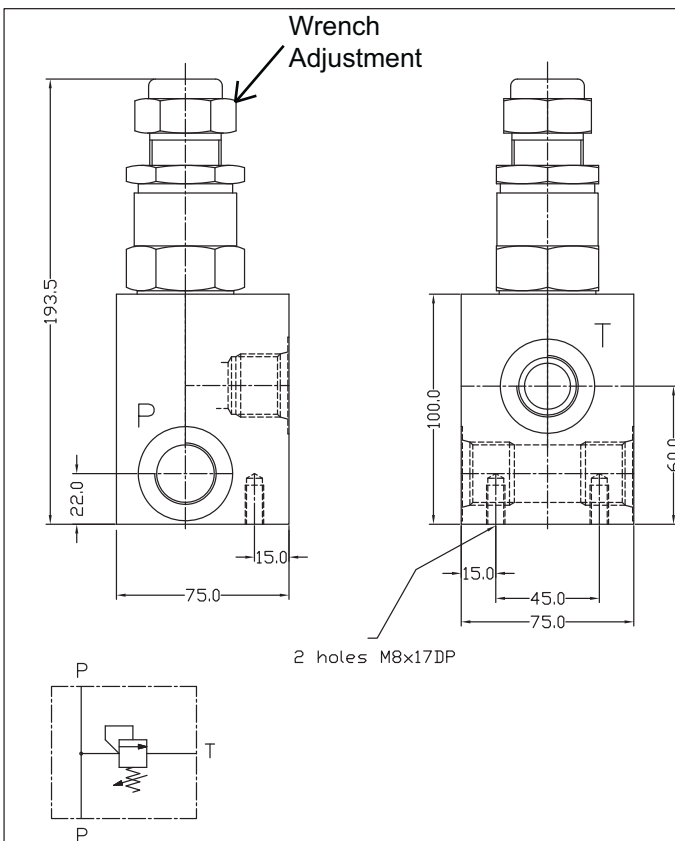
21 DELORAIN ROAD, EDWARDSTOWN
PHONE (08) 8277 4933 FAX (08) 8277 9126 A.C.N. 007 683 472

REVISION DETAILS		
ECN	DATE	DESCRIPTION
B 547	21/12/01	Gauge port moved

NOTES	
1. ALL DIMENSIONS IN mm.	
2. BREAK ALL SHARP EDGES	
3. ALL DRILL DEPTHS ARE TO SHOULDER	
4. MATT ANODISE - NATURAL FINISH	
5.	
6.	
7.	

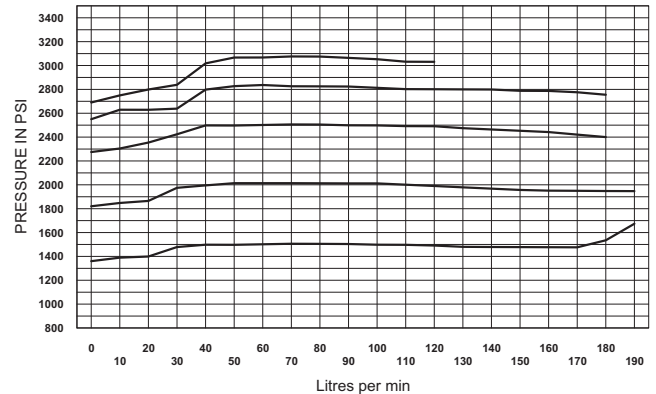
GENERAL TOLERANCE	
0.	= ±0.5 mm
0.0	= ±0.25 mm
0.00	= ±0.10 mm
0.000	= ±0.02 mm
∇ 1.6	
⊙ 0.10	
UNLESS STATED OTHERWISE	
SCALE: NTS SHEET 1 OF 1	

TITLE			
OP139 SOLENOID PROPORTIONAL RELIEF BLOCK			
DRG. NO.		MATL: ALLOY 2011T6	
687681		DATE: 16/11/01	
DRN: S. BURDON		DATE:	
APP:		DATE:	



1. Max flow - 180 L/Min
2. Pressure - 1500-3000 psi
3. Ports - 1 1/16" UN"Ø" (body p/n 228291)
3/4" BSP-P (body p/n 228292)
4. Type - direct acting

R5 RELIEF VALVE PERFORMANCE FIGURES



REVISION DETAILS		
ECN	DATE	DESCRIPTION

NOTES	
-------	--

GENERAL TOLERANCE	
0.	= ±0.5 mm
0.0	= ±0.25 mm
0.00	= ±0.10 mm
0.000	= ±0.02 mm
∇ 1.6	
⊙ 0.10	
UNLESS STATED OTHERWISE	
SCALE: 5:1 SHEET 1 OF 1	

OILPATH PTY LTD			
21 DELORAIN ROAD, EDWARDSTOWN PHONE (08) 8277 4933 FAX (08) 8277 9126 A.C.N. 007 683 472			
TITLE			
R5 RELIEF VALVE			
DRG. NO.		MATL:	
		DRN: V. Troyanovsky	
APP:		DATE: 18/08/04	
DATE:		DATE:	