

**OILPATH PTY LTD**

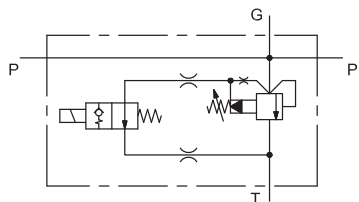
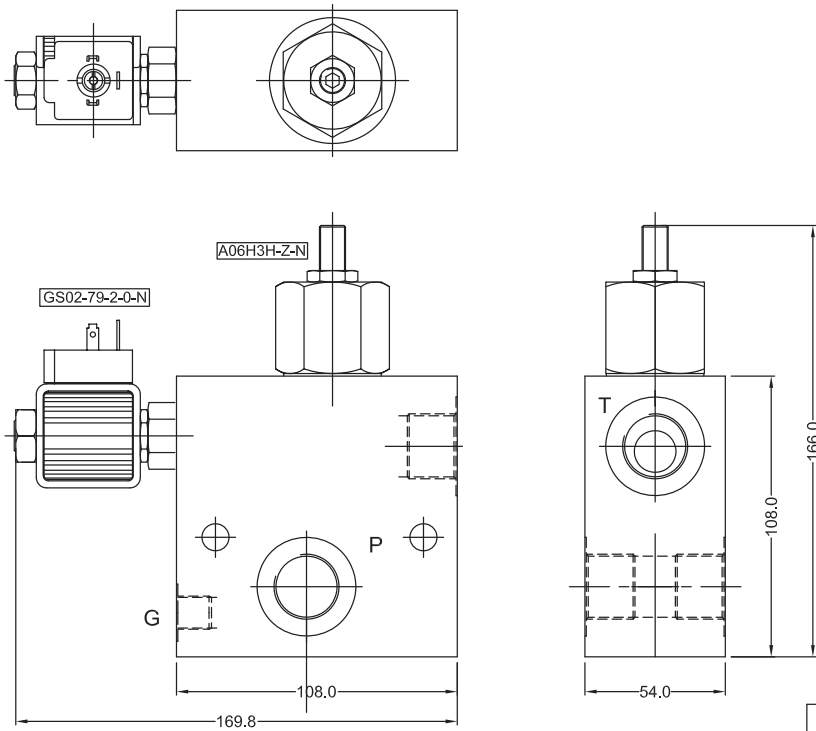
21 DELORAINE ROAD, EDWARDSTOWN  
 PHONE (08) 8277 4933 FAX (08) 8277 9126 A.C.N. 007 683 472

REVISION DETAILS		

**NOTES**  
 - ALL DIMENSIONS IN mm  
 - BREAK ALL SHARP EDGES (R0.1 FOR CAVITIES)  
 - ALL DRILL DEPTHS ARE TO SHOULDER  
 - MATT ANODIZE - NATURAL FINISH

**GENERAL TOLERANCE**  
 0. = ±0.5 mm  
 0.0 = ±0.25 mm  
 0.00 = ±0.10 mm  
 0.000 = ±0.02 mm  
 √ 3.2  
 ◎ 0.10  
 UNLESS STATED OTHERWISE  
 MATL: 76.2x50.8 2011T6

TITLE OP126 3/4" BSPP RELIEF BODY		
DRG. NO. 126*****	REVISION	SHEET OF OF
DRN: S. BURDON	CKD:	
DATE: 24/11/94	SCALE: NTS	



P, T PORTS - 3/4" BSPP  
 G PORT - 1/4" BSPP

**OILPATH PTY LTD**

21 DELORAINE ROAD, EDWARDSTOWN  
 PHONE (08) 8277 4933 FAX (08) 8277 9126 A.C.N. 007 683 472

REVISION DETAILS		
B 547	21/12/01	Gauge port moved
ECN	DATE	DESCRIPTION

**NOTES**  
 1. ALL DIMENSIONS IN mm.  
 2. BREAK ALL SHARP EDGES  
 3. ALL DRILL DEPTHS ARE TO SHOULDER  
 4. MATT ANODISE - NATURAL FINISH  
 5.  
 6.  
 7.

**GENERAL TOLERANCE**  
 0. = ±0.5 mm  
 0.0 = ±0.25 mm  
 0.00 = ±0.10 mm  
 0.000 = ±0.02 mm  
 √ 1.6  
 ◎ 0.10  
 UNLESS STATED OTHERWISE  
 SCALE: NTS SHEET 1 OF 1

TITLE OP138 SOLENOID UNLOADING RELIEF BLOCK		
DRG. NO. 1380000*	MATL: ALLOY 2011T6	
DRN: S. BURDON	DATE: 16/11/01	
0 REV A3	CKD:	DATE:
B	APP:	DATE: