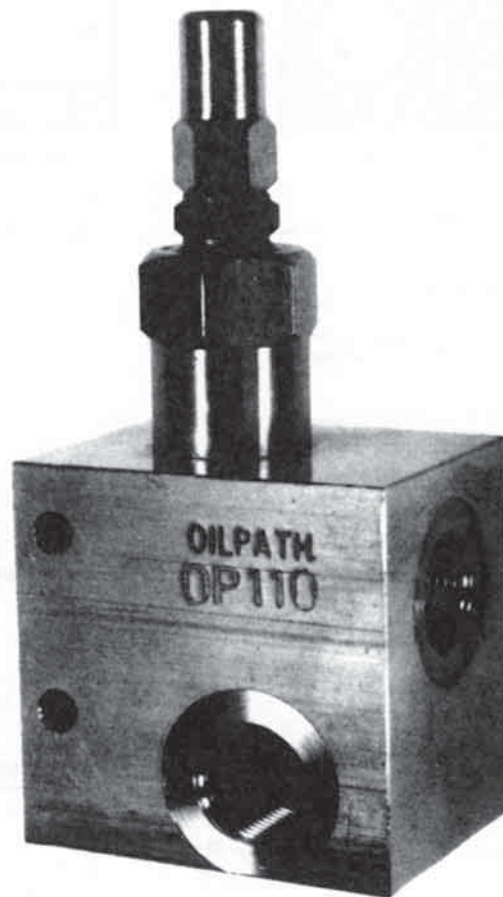


# OILPATH

## MODEL OP110

DIRECT ACTING  
PRESSURE RELIEF VALVE



- Manufactured from high grade aluminium alloy.
- Nominal flow 40 ltrs per minute.
- Pressure range 28 - 245 Bar.
- Inline mounting style.
- 3/8" BSPP ports.

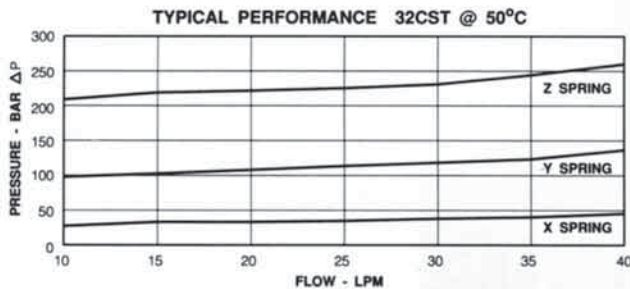
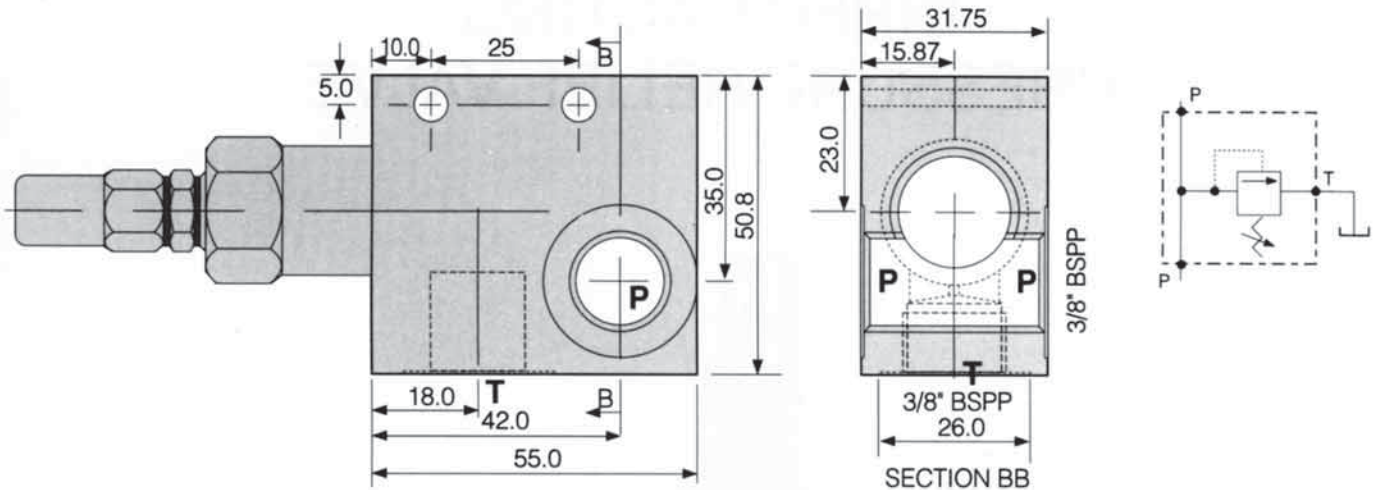
## GENERAL DESCRIPTION

The OP110 is an inline style pressure relief valve manufactured from high grade alloy. The body is an inline type and has been designed with compact size being a high priority along with ease of installation.

The dart type poppet design has the benefits of quick response and a high degree of dirt tolerance. Adjustment is external and three grades of springs are available to cover the full pressure range.

## SPECIFICATIONS

- Maximum operating pressure is 245 bar.
- Maximum flow is a nominal 40 ltrs per min.
- Manufactured from high grade alloy.
- Pressure and tank ports are 3/8" BSPP.
- Nitrile seals as standard, Viton by request.
- Adjustable pressure range 27 - 245 Bar.



**APPROXIMATE WEIGHT**  
0.4 Kg

## ORDERING CODE

**OP110 - 140 - Y**

Model number

Pressure setting in Bar

### SPRING SELECTION

X	27 - 90 Bar
Y	90 - 206
Z	206 - 245

## DISTRIBUTED BY

Manufactured by :

**OILPATH PTY. LTD.**  
Incorporated in South Australia  
A.C.N. 007 683 472

21 Deloraine Road,  
Edwardstown, South Australia.  
PO Box 132, Edwardstown 5039  
AUSTRALIA  
Ph: (08) 8277 4933 Fax: (08) 8277 9126

## WARRANTY

Oilpath products are warranted to be free of defects in material or workmanship. This warranty voids all other warranties, whether expressed or implied, and shall be in effect for 6 months from date of purchase. The warranty is limited to replacement or repair, excluding seals or damage arising from misuse or incorrect installation. The company accepts no liability for faults caused by improper use or faulty maintenance of the product, or its operation beyond recommended specifications, or contingent or consequential loss or damage under any situation whatsoever. All unauthorised modifications to the product automatically voids the conditions of this warranty.