

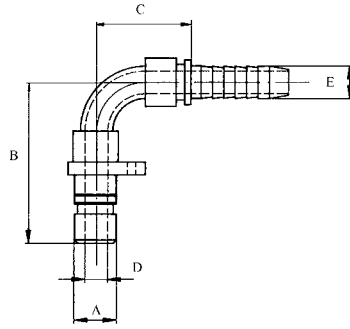
Nipple

90° Hose connection

Series 714: Nipple for SAE 100R1/R2 hose or equivalent

Working Pressure

- 1/4" 350 bar (5076 PSI)
- 3/8" 350 bar (5076 PSI)
- 1/2" 350 bar (5076 PSI)
- 3/4" 350 bar (5076 PSI)



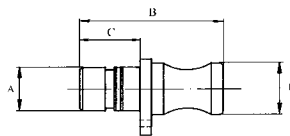
		Part No.	Connection (E)	A	B	C	D
NIPPLE - 90°	Series 714, 1/4"	14 714 0404	1/4"(6.9)	10.0	51.0	34.0	4.5
	Series 714, 3/8"	14 714 0606	3/8"(10.1)	13.0	60.0	39.0	7.0
	Series 714, 1/2"	14 714 0806	3/8"(10.1)	16.0	61.0	39.0	7.0
		14 714 0808	1/2"(13.6)	16.0	69.0	48.0	9.0
	Series 714, 3/4"	14 714 1212	3/4"(20)	23.0	104.5	75.0	14.5

Nipple

Stop

Working Pressure

- 1/4" 350 bar (5076 PSI)
- 3/8" 350 bar (5076 PSI)
- 1/2" 350 bar (5076 PSI)
- 3/4" 350 bar (5076 PSI)
- 1" 250 bar (3625 PSI)



		Part No.	A	B	C	E
NIPPLE - Stop	Series 723, 1/4"	14 723 0400	10.0	43.0	19.0	12.0
	Series 723, 3/8"	14 723 0600	13.0	50.0	22.0	16.0
	Series 723, 1/2"	14 723 0800	16.0	50.0	22.0	19.0
	Series 723, 3/4"	14 723 1200	23.0	59.0	31.0	25.0
	Series 723, 1"	14 723 1600	30.0	75.0	38.5	33.0