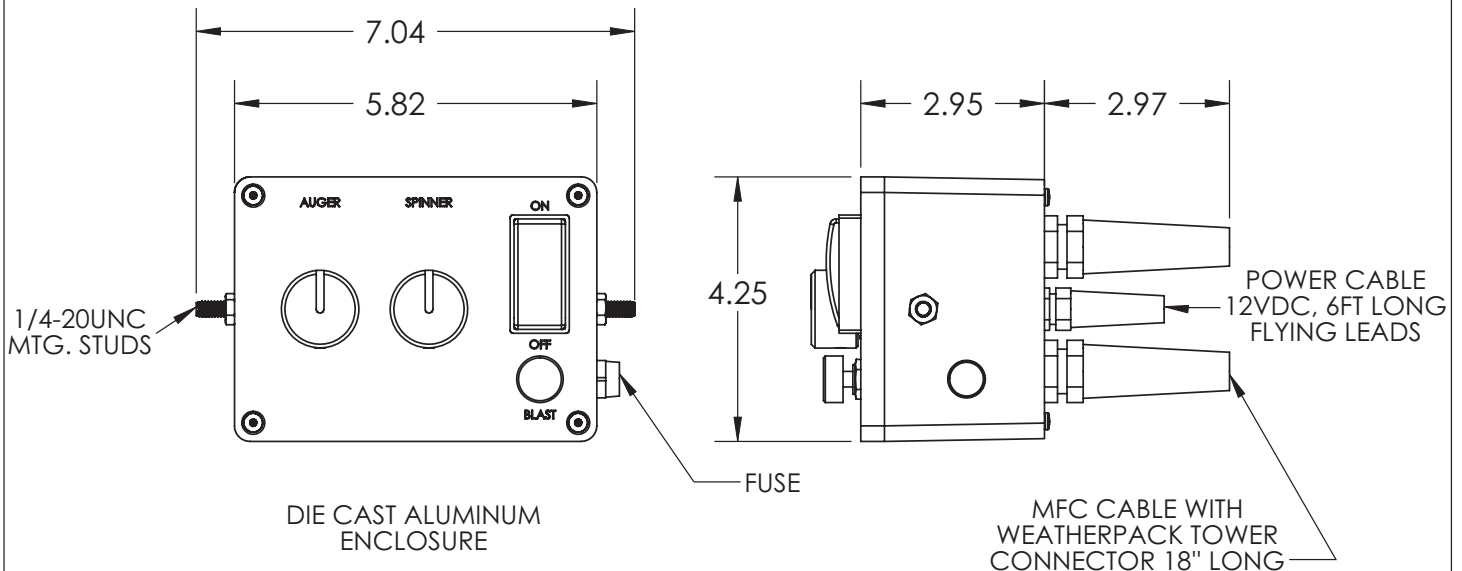


# SFP25726

DUAL VALVE CONTROLLER  
WITH BLAST FUNCTION



## Function:

- SFP25726 is a packaged dual control module designed to remotely operate two of the Source Fluid Power Motorized Flow Control (MFC) valves that are equipped with the internal feedback (FB) option.
- The die-cast aluminum housing contains two PEM-DMC controllers, command potentiometers, dual panel mount fuse holders, weather proof strain reliefs for connecting cables, and a weatherproof rocker switch. 1/4-20UNC mounting studs protrude from each side for easy under dash panel mounting.
- The potentiometer can be equipped with a standard molded plastic knob or a machined aluminum knob equipped with a 10 position detent.

## Specifications:

- Housing 5.82" wide x 4.25" high x 2.95" deep die-cast aluminum.
- Operating voltage range 12 to 24 VDC @ 5amps minimum.
- Power lead 6' long, Motor lead 18" long with Weather Pack connector.
- Rocker switch on-off
- Push button blast function

- Panel mount fuse holder, twist to release, 3amp 3 AG fast acting fuse

## Applications:

- This control package is ideally suited for a simple single feed drop or broadcast type salt / sand spreader used in after-market attachments to truck dump boxes. Vary the rate by adjusting the control pot, start and stop the unit using the rocker switch. Switching the rocker "off" drives the valve closed without having to change the rate setting. Turning the switch "on" drives the flow control to the pot setting without having to guess where it was before. The pilot light within the switch indicates the unit is in the "on" mode.
- If equipped with a detented knob the operator can make changes on the fly without having to take his eyes off the road. He can feel the amount of change through the detents.
- Blast function - Will drive both controls to full open as long as button is held. Returns to settings upon release

## How to Order:

- Base part number is SFP25726. Consult factory for suffix numbers on options