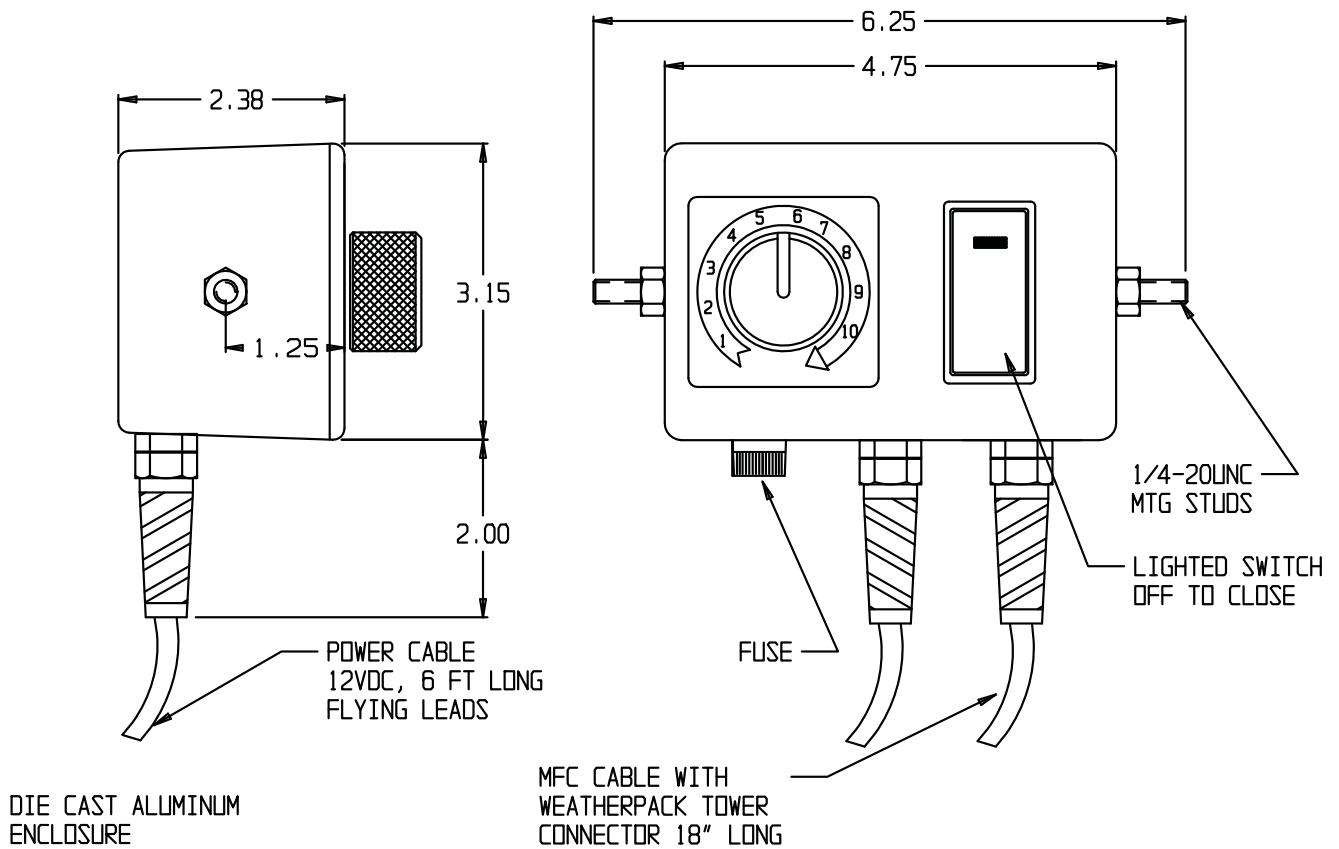


SFP25660 SINGLE VALVE CONTROLLER



Function:

- SFP25660 is a packaged control module designed to remotely operate the Source Fluid Power Motorized Flow Control (MFC) valves that are equipped with the internal feedback (FB) option.
- The die-cast aluminum housing contains the PEM-DMC controller, the command potentiometer, a panel mount fuse holder, weather proof strain reliefs for connecting cables and a lighted weatherproof rocker switch. 1/4 -20 mounting studs protrude from each side for easy under dash panel mounting.
- The potentiometer can be equipped with a standard molded plastic knob or a machined aluminum knob equipped with a 10 position detent.

Specifications:

- Housing 4.75" wide x 3.15" high x 2.38" deep die cast aluminum.
- Operating voltage range 12 to 24 VDC @ 3amps minimum.
- Power lead 6' long, Motor lead 18" long with Weather Pack connector.
- Lighted rocker switch indicates unit on.

- Panel mount fuse holder, twist to release, 3amp 3AG fast acting fuse.

Applications:

- This control package is ideally suited for a simple single feed drop or broadcast type salt/sand spreader used in after-market attachments to truck dump boxes. Vary the rate by adjusting the control pot, start and stop the unit using the rocker switch. Switching the rocker "off" drives the valve closed without having to change the rate setting. Turning the switch "on" drives the flow control to the pot setting without having to guess where it was before. The pilot light within the switch indicates the unit is in the "on" mode.
- If equipped with a detented knob the operator can make changes on the fly without having to take his eyes off the road. He can feel the amount of change through the detents.
- Blast function available

How to order:

- Base part number SFP25660. Consult factory for suffix numbers on options.