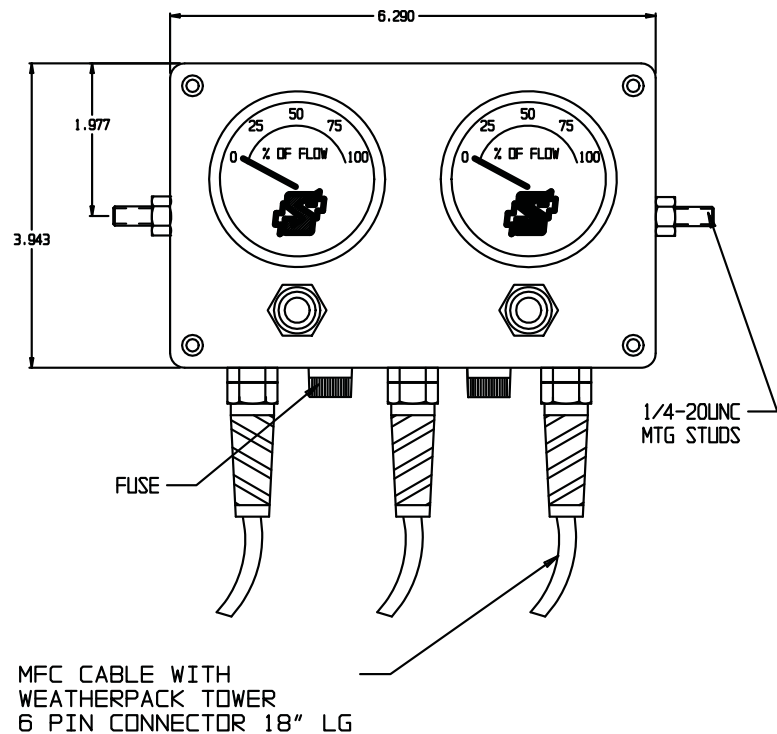
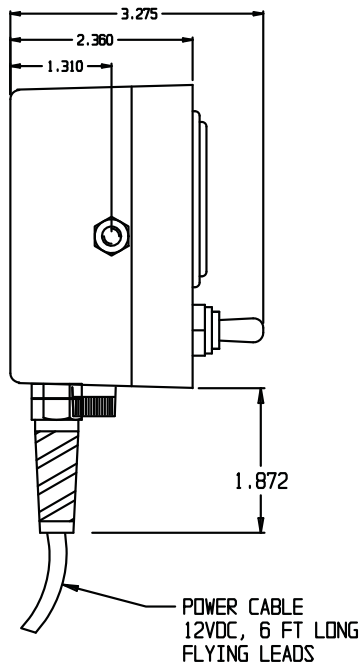


SFP25587

DUAL VALVE CONTROLLER WITH GAUGES



Function:

- **SFP25587** is a Packaged dual control module designed to remotely operate two of the Source Fluid Power Motorized Flow Control (MFC) valves that are equipped with the feedback (FB) option.
- The die cast aluminum housing contains two DPDT toggle switches (P/N 44269) each controlling one valve. Two gauges (P/N SFP25416) which provide visual feedback for each valve. Along with a 3 amp fuse and diode to protect against reverse polarity for each valve. Weatherproof strain reliefs for connecting cables and 1/4-20UNC mounting studs protrude from each side for easy under dash mounting.

Specifications:

- Housing 6.29" wide x 3.94" high x 2.36 deep die cast aluminum.
- Operating voltage range 12 to 24 VDC @ 3 amps minimum
- Power lead 6' long, Motor lead 18" long with Weather Pack connector.
- Panel mount fuse holder, twist to release, 3 amp 3AG fast acting fuse.

Applications:

- This control package is ideally suited for a simple single feed drop or broadcast style salt / sand or other spreader used with aftermarket attachments to truck dump bodies. The rate can be varied by operating the toggle switch to open or close each valve to the desired setting. Once the setting has been reached and the switch has been centered, the valve will stay at that position until the switch is re-engaged. The visual readout allows the operator to easily return to a previous setting.

How to order:

- Base part number SFP25587. Consult factory for suffix numbers on options.