



**HYDRAFORCE ELECTRONICS**

## **HydraForce ELD06, 07, & 08 Display Quick Setup Guide**

### **Table of Contents**

1	About the Program .....	2
2	System Requirements .....	2
3	Configuration Requirements.....	3
4	Installation .....	3
5	License Activation .....	5
6	Getting Started .....	7
6.1	Preparation .....	7
6.2	Start Program.....	9
7	Legal Regulations.....	9

## Introduction

This guide is designed to help new users get started and begin configuring their ELD Display Units.



This software has been specifically developed for the ELD devices of HydraForce, Inc. It therefore only works with these devices. Attempting to use it with systems from other manufacturers can lead to serious damage and program malfunction.

## 1 About the Program

Thank you for your interest in the HydraForce ELD06, 07, & 08 Display Configurator. This easy-to-use program enables you to build custom digital displays. By selecting parameters from a menu of options, you may view and adjust multiple display views in real-time. This software will allow you to use your PC to easily configure any of the new generation of ELD Displays.



For further information and support, see our web page: [www.hydraforce.com](http://www.hydraforce.com)  
Or contact us at [ELD\\_Display@hydraforce.com](mailto:ELD_Display@hydraforce.com)



To avoid confusion, it is worth mentioning at this point that in the CAN world, the terms "download" and "upload" can sometimes get confusing. Throughout the HydraForce ELD06, 07, & 08 Display Configurator software, the ELD Download refers to sending data to the Display Unit. The ELD Upload, likewise, refers to receiving data from the Display Unit. This is often confused because most Internet users are used to seeing the word Download being used to describe what happens when data is sent to the PC - which is NOT the case with this software. It is important to keep this in mind as you read through this and other supporting documentation and begin using HydraForce ELD06, 07, & 08 Display Configurator to individually configure your ELD Display Units.

## 2 System Requirements

In order to run HydraForce ELD06, 07, & 08 Display Configurator, your PC will need to meet these minimum specifications:

- IBM or compatible; Pentium III processor (500MHz)
- Operating System: Microsoft Windows 2000, XP
- 4x CD-ROM drive (for installation only)
- 256 MB RAM main memory
- 160 MB unused hard disk space
- 96 dpi resolution (default setting)



It is absolutely necessary to have a resolution of 96 dpi! If you use a higher resolution than 96 dpi (such as 120 dpi or a customized resolution), some of the HydraForce ELD06, 07, & 08 Display Configurator windows will not be correctly displayed. They might be cut off on their right side. In order to see which resolution you have set or to change back to a resolution of 96 dpi, right-click your desktop and select Properties. In the Display Properties window, press the Advanced button. On the General tab, change the resolution to Small Fonts (Normal size 96 dpi) if you have set a resolution other than 96 dpi.



Please keep in mind that these are the minimum requirements to use HydraForce ELD06, 07, & 08 Display Configurator. You are not only allowed to exceed these requirements if you desire, but we recommend it!

You will need one HydraForce USB Adapter in order to configure your ELD Display Unit with the HydraForce ELD06, 07, & 08 Display Configurator software.

With the following ELD interface device, you can configure your Display Unit via the CAN Bus:

#### HydraForce USB Adapter

- HydraForce USB Adapter with firmware version 1.08 or newer
- One standard USB cable
- One free USB port on your PC
- One CAN cable

### 3 Configuration Requirements

The ELD06, 07, & 08 Configurator Kit (part no. 4206310) includes the required software, a CAN communication device and all essential connectors needed for programming purposes. Once CAN communication has been established, the program identifies all ELD Displays on the CAN Network and allows the programmer to configure display parameters. All CAN output from the display requires a Network Bridge connector assembly to communicate on the J1939 network bus. A Network Bridge consists of two terminating resistors (120  $\Omega$ ) connected in parallel across the CAN Hi, CAN Lo and CAN Shield CAN communication lines and provides a path for the J1939/CAN messages to travel.

### 4 Installation

The CD ROM that was included with your ELD Display Unit contains the setup files required to install HydraForce ELD06, 07, & 08 Display Configurator and ELD Device Programmer on your PC. Furthermore, the CD ROM that was included with your ELD HydraForce USB Adapter device contains some other very important pieces of software that you will also need to install: ELD Device Configurator and ELD CAN Device Monitor.

## Installation of HydraForce ELD06, 07, & 08 Display Configurator

To install HydraForce ELD06, 07, & 08 Display Configurator, insert the installation CD ROM into your CD ROM drive and close the drive door. If setup does not begin automatically, you can start the setup program manually as follows:

1. Go to Start | Run --> Type "e:\Software\ELD\_Display\_Configurator\setup.exe" without the quotes, where e represents the drive letter assigned to your CD ROM drive, and press the "Return" key. Or you could optionally use Windows Explorer to navigate to this location and double-click the Setup.exe file to install the software.
2. Read and accept the End-User License Agreement (EULA) and follow the installation prompts in order to install HydraForce ELD06, 07, & 08 Display Configurator on your PC.



If you do not agree with the terms of the End-User License Agreement, then you will not be allowed to continue with the installation procedure.

## Installation of ELD Device Programmer:

Also included on your HydraForce ELD06, 07, & 08 Display Configurator installation CD is the ELD Device Programmer software, which you will use whenever you need to update the firmware of any of your ELD devices, including your ELD Display Unit and CANview devices. To install ELD Device Programmer, insert the installation CD ROM into your CD ROM drive and close the drive door. If setup does not begin automatically, you can start the setup program manually as follows:

1. Go to Start | Run --> Type "e:\Software\ELD\_Device\_Programmer\setup.exe" without the quotes, where e represents the drive letter assigned to your CD ROM drive, and press the "Return" key. Or you could optionally use Windows Explorer to navigate to this location and double-click the Setup.exe file to install the software.
2. Read and accept the End-User License Agreement (EULA) and follow the installation prompts in order to install ELD Device Programmer on your PC.



For specific information about how to carry out a firmware update, please see the respective help manual of ELD Device Programmer, which is accessible by selecting? Help from the main menu of the ELD Device Programmer window.

## Other Important Software

Included with your particular CANview device on the installation CD are some very helpful programs. One very important one that you will need right away is the

configuration software (e.g. ELD Device Configurator), which you will need in order to configure your CANview device for compatibility with your ELD Display Unit. Please install this software on your PC, following the procedure set forth in the .pdf help manual pertaining to your particular CANview device (also included on the CANview's installation CD).

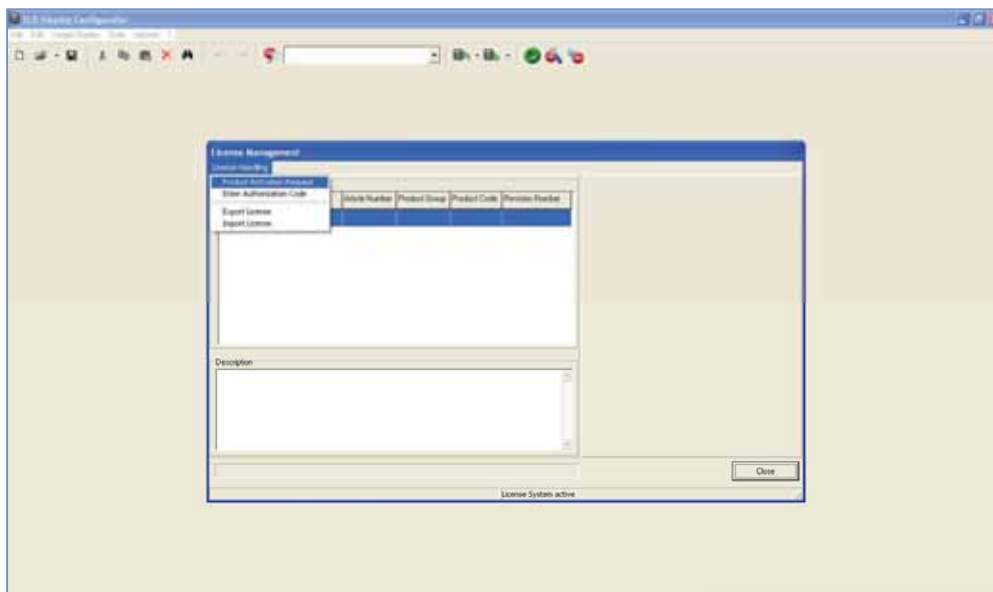
Another very helpful tool is called ELD CAN Device Monitor, which also is included as a free version on your CANview device's installation CD. You will find that this software tool is irreplaceable when it comes to generating and monitoring CAN messages in conjunction with your ELD Display Unit!

## 5 License Activation

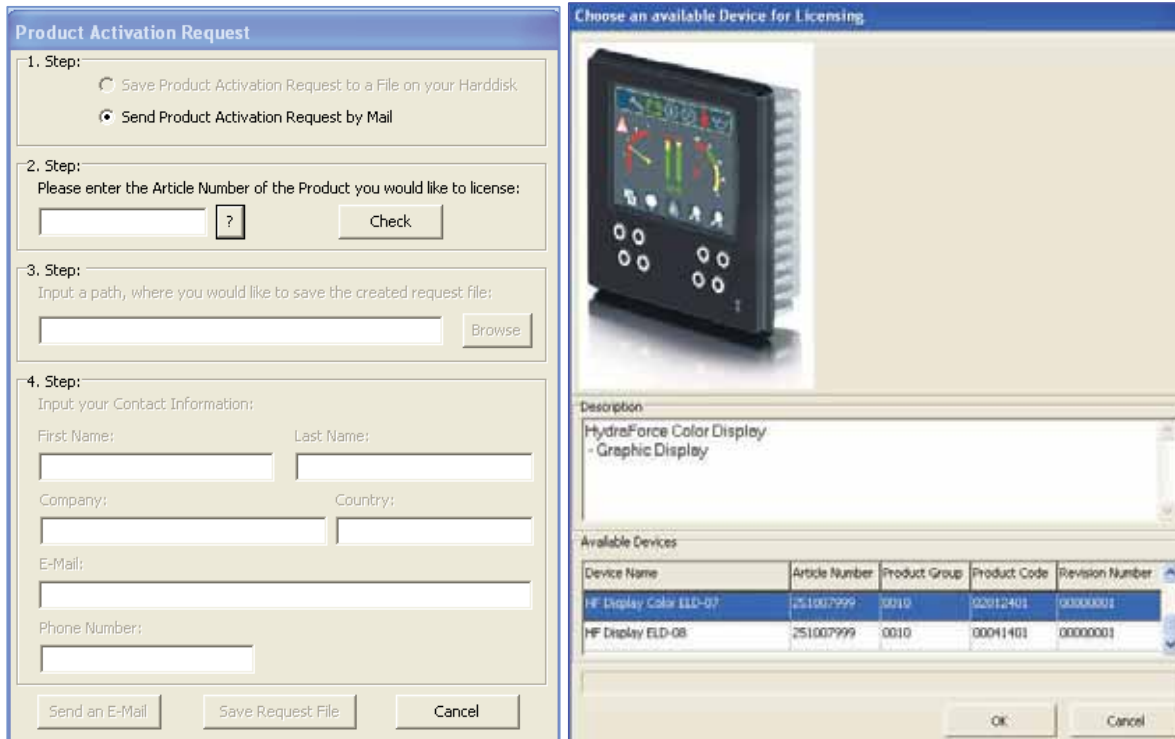
The disc included in the ELD06, 07, & 08 Configurator Kit (part no. 4206310) will include a floating license and all of the necessary software required to program your ELD displays. Upon completing the personalized installation of ELD06, 07, & 08 software you must complete a product activation request to begin programming your displays.



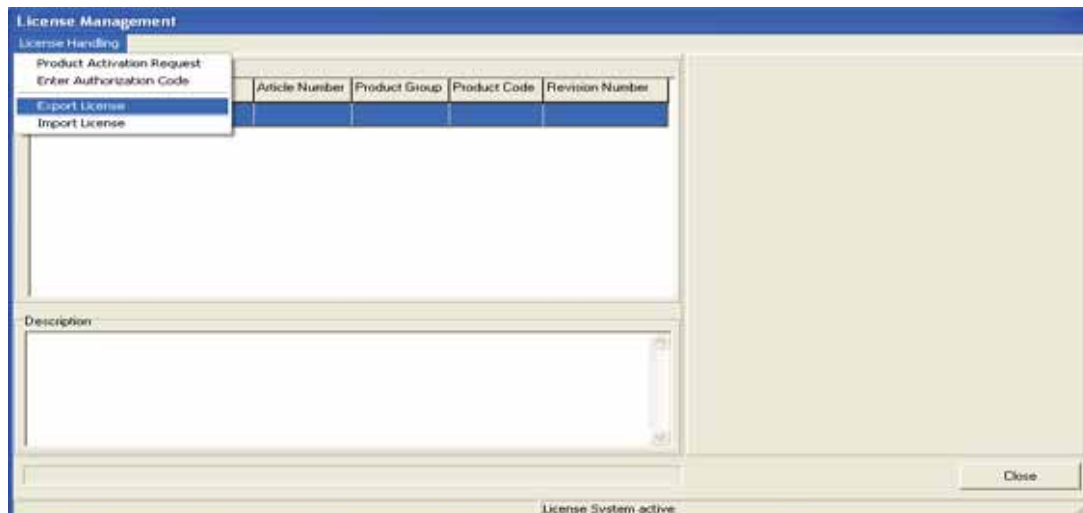
The submitted email address must contain the domain name of the company. No public domain names such as Yahoo.com or Comcast.com are allowed.



To perform an activation request send an email to [license@hydraforce.com](mailto:license@hydraforce.com) , this initiates the license(s) of the software.



Upon receipt of your request, you'll receive a confirmation email notifying you that your license has been registered. You'll then be given a license code which is imported in the license management page, and allowed to begin programming. Once registered all software updates will be prompted by a pop-up notification on your screen.



## 6 Getting Started

### 6.1 Preparation

#### What you Need

First, before you can use HydraForce ELD06, 07, & 08 Display Configurator to configure your display module, you will need to have a few pieces of equipment. First, you will need to have the ELD HydraForce USB Adapter device installed in order to successfully send CAN messages from your PC to your display module (and vice-versa):

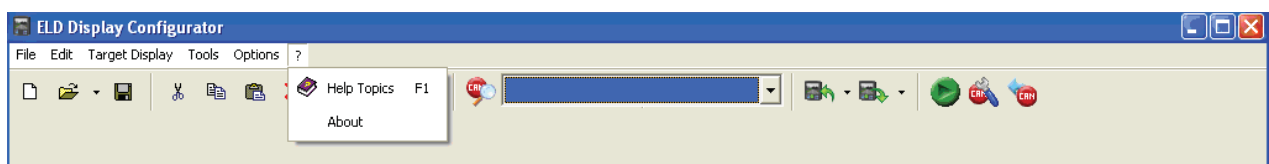
In order to configure your HydraForce USB Adapter device to work properly with your ELD Display Unit, you should open your installed ELD Device Configurator software and import the settings (which we have already configured for you) from there. The reason this is important is because the PC and HydraForce USB Adapter device need to have identical settings in these sections, or they will not be able to communicate with each other.

To open this software, look under Options | Settings from HydraForce ELD06, 07, & 08 Display Configurator's main menu and select the button called CANview Configurator.

With your ELD Display Unit on the installation CD, we have included configuration files that you will find very useful in programming your HydraForce USB Adapter device. These files can be found in the \HF\_Display\_Configurator\Configuration subdirectory in the HydraForce ELD06, 07, & 08 Display Configurator installation path. For the HydraForce USB Adapter, you will use a file with the extension .cgg for configuration purposes.

The preferred way to access this folder, however, is by using your ELD Device Configurator Software. The following window is opened by selecting File | Open Configuration from within ELD Device Configurator. When you are using a HydraForce USB Adapter device, then you should open the CANviewUSB.cgg file.

Once you have opened the correct .cgg file, then you can press the Write to CAN Device button from the configuration software. Lastly, press the Normal Operation button. Now you are sure that the information in the COM tab is correct - and you may copy them over manually to the COM Settings tab of the HydraForce ELD06, 07, & 08 Display Configurator software. For more information about the ELD Device Configurator software, please see its help manual (embedded in the software program).



Second, you will also naturally need a display module to configure. HydraForce ELD06, 07, & 08 Display Configurator can be used to configure any of the new generation of ELD Display Units.

Third, you will need a PC that meets the required minimum specifications outlined above, plus any specific equipment required for your CANview device and its respective installation software and drivers (for example, you will need a HydraForce USB Adapter installed in your PC if you are using the HydraForce USB Adapter device to relay messages to and from your display Unit from your PC).

### **Connect All Devices**

Prior to starting the software, connect the ELD Display Unit to your PC. If you need additional information about the specific pin locations of the devices, please see the corresponding catalog page for the device you are using, available on our web site at [www.HydraForce.com](http://www.HydraForce.com).



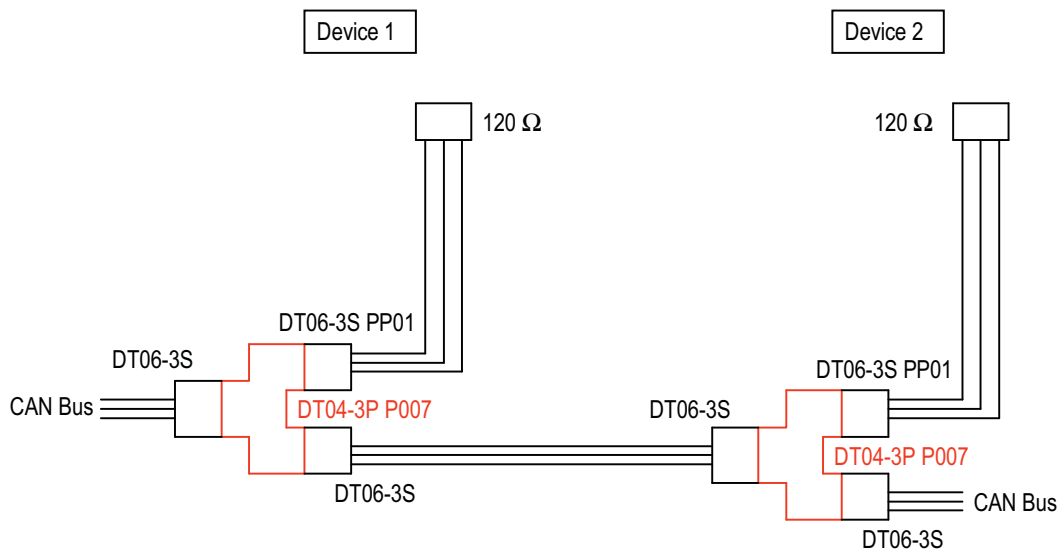
HydraForce USB Adapter: To set up your display Unit for configuration using a HydraForce USB Adapter device, simply connect one of your PC's free USB ports to the connector on the HydraForce USB Adapter device labeled USB with your included USB cable.

Note that if you are hooking up your HydraForce USB Adapter device to the PC for the first time, Windows will ask for a driver. This can be found on the CANview device's installation CD.

This will provide the necessary power to operate your HydraForce USB Adapter device. Then connect the HydraForce USB Adapter device (port is labeled CAN) to a connector on the Display Unit. The last step is to add power to your ELD Display Unit. Please make sure that there is power being supplied through the CAN cable if you are using a Display with no extra power input. Otherwise connect the power source to the Display Unit directly. The Display Unit is now ready to begin communicating with your PC.



Don't forget that every CAN Bus needs to be terminated by a termination resistor (120Ω). You will find a termination resistor in the Configuration Kit that you purchased with your Display Unit. When integrating this display with a CAN Controller you must terminate both devices (example below).



## 6.2 Start Program

Once you have set everything up in accordance with the instructions set forth in the Preparation section of this guide, then you are ready to launch the software and begin using HydraForce ELD06, 07, & 08 Display Configurator to configure your ELD Display Unit.

To launch the HydraForce ELD06, 07, & 08 Display Configurator program, select Start | Programs | ELD CAN Tools | HydraForce ELD06, 07, & 08 Display Configurator.

When you launch HydraForce ELD06, 07, & 08 Display Configurator, a sound effect will play and you will be taken directly to the main window of the program.

## 7 Legal

Microsoft and Windows are registered trademarks of Microsoft Corporation. HydraForce ELD06, 07, & 08 Display Configurator is suitable for normal use on common personal computers (PCs). According to the present state of software technology, no guarantee can be assumed for the correct operation or absence of computer viruses or for the removal of any fault, which may occur. In case of an incorrect program, HydraForce Inc. cannot be held liable for cost incurred at the customer (e.g. as a result of maintenance, repair or rectification of faults). The exclusion does not apply to damage for which liability is mandatory according to preemptory legal provisions.