

OILPATH HYDRAULICS PTY LTD

21 DELORAINE ROAD, EDWARDSTOWN

PH: +61 8 8277 4933 FAX: +61 8 8277 9126 A.B.N. 94 117 925 210

Size 10, Size 12 & Size 20 Compact Series Hose Burst Valves

<i>Part No.</i>	<i>Size</i>	<i>Description</i>
07510012	10	3/8" BSPP Tapped Ports (Pressure Sensor Port 1/4" BSPP) 3000* psi (200* bar) @ 50 l/m (12 Volt Solenoid)
07512012	12	1/2" BSPP Tapped Ports (Pressure Sensor Port 1/4" BSPP) 3000* psi (200* bar) @ 100 l/m (12 Volt Solenoid)
07120012	20	1" BSPP Tapped Ports (Pressure Sensor Port 1/4" BSPP) 4000* psi (275* bar) @ 200 l/m (12 Volt Solenoid)
07120024	20	1" BSPP Tapped Ports (Pressure Sensor Port 1/4" BSPP) 4000* psi (275* bar) @ 200 l/m (24 Volt Solenoid)
07121012	20	1-1/4" BSPP Tapped Ports (Pressure Sensor Port 1/4" BSPP) 3000* psi (200* bar) @ 300 l/m (12 Volt Solenoid)
07121024	20	1-1/4" BSPP Tapped Ports (Pressure Sensor Port 1/4" BSPP) 3000* psi (200* bar) @ 300 l/m (24 Volt Solenoid)

*This is a complete listing of all available configurations as at 11th June, 2010 for the Compact Series of Hose Burst Valves.
Please contact Oilpath Hydraulics for any variations not listed.*

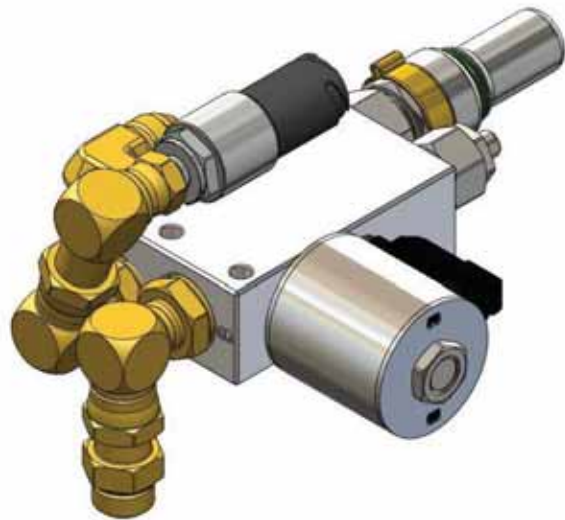
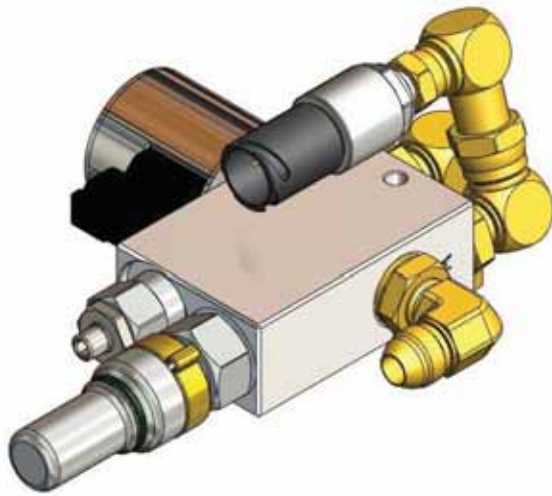
** Please note that the Maximum Pressure Rating is dependant on the style of Hydraulic Adaptor screwed into the BSPP Ports*

OILPATH HYDRAULICS PTY LTD

Compact Series Burst Valve Assemblies

Sizes 10, 12 & 20 Range

50 – 300 l/m



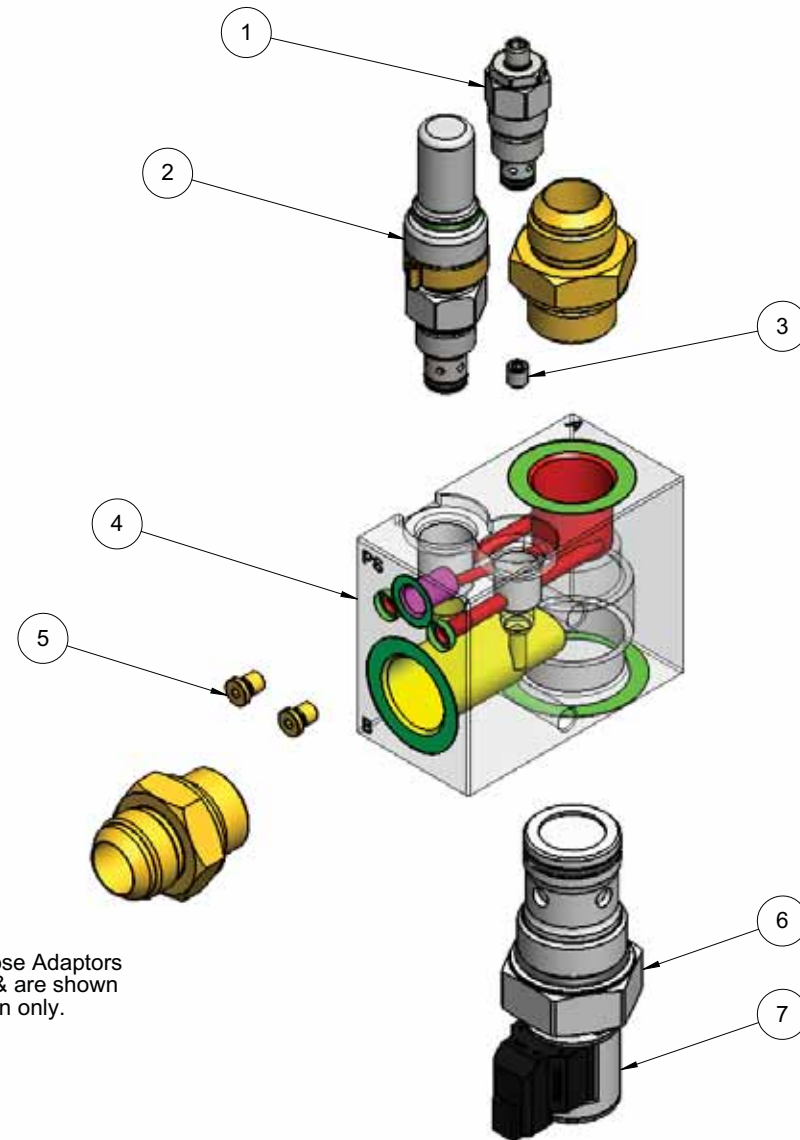
June 2010

Item No	Part No	Description	Qty
1	505105	Manual Override Valve Assembly	1
2	505104	Pressure Relief Valve Assembly R8	1
3	240064	Orifice Plug - 1/16" NPT x 1.5mm Hole	1
4	258004	Body - 1" BSPP Size 20 Hose Burst Valve	1
5	410121	5/16" UNF Hollow Hex Plug - 350 Bar	2
6	SF20-22-0-P-0	Poppet Valve - Solenoid Actuated	1
7	4303612	12 Volt Size 08 ER Coil	1
7	4303624	24 Volt Size 08 ER Coil	1

Notes

Part No **SF20-22-0-P-0** shown above for the Poppet Valve does not include a Coil

Size 08 ER Coils Part Numbers **4303612** and **4303624** shown above have a Deutsch DT04-2P Connector



1" BSPP - JIC Hose Adaptors are not included & are shown here for illustration only.

07520012 Assembly includes a 12 Volt Solenoid ER Coil

07520024 Assembly includes a 24 Volt Solenoid ER Coil

OILPATH HYDRAULICS PTY LTD
 21 DELORAINE ROAD, EDWARDSTOWN
 PH: +61 8 8277 4933 FAX: +61 8 8277 9126 A.B.N. 94 117 925 210

REVISION DETAILS			
REV	ECN	DATE	DESCRIPTION
A	-	15-01-10	PRODUCTION

OILPATH HYDRAULICS PTY LTD
 This drawing is the property of the above named Company. Reproduction of this drawing is prohibited without the consent or authority of that Company.

NOTES

- ALL DIMENSIONS IN mm
- ALL DRILL DEPTHS TO SHOULDER
- BREAK ALL SHARP EDGES

GENERAL TOLERANCE

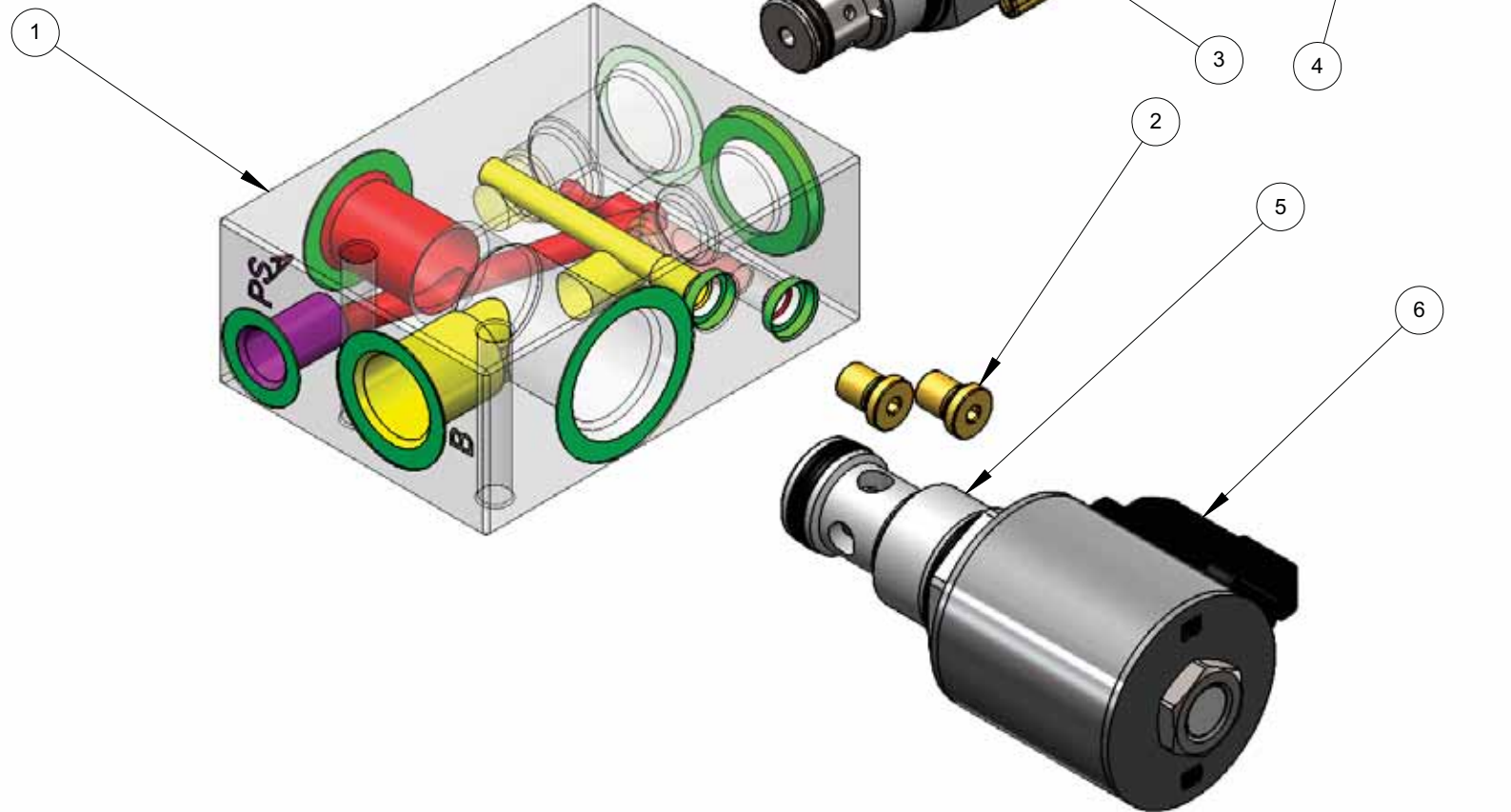
0. = ±0.5mm
 0.0 = ±0.25mm
 0.00 = ±0.10mm
 0.000 = ±0.02mm

UNLESS OTHERWISE STATED

SCALE: 1:2 SHEET 1 OF 1

TITLE Size 20 1" BSPP Compact Series Hose Burst Valve	
DRG NO. 075200xx	MATL: Various - as individually noted
0 REV A3	DRN: IJW DATE: 15-01-2010
	CKD: DATE:
	APP: DATE:

Item No.	Part No	Description	Qty.
1	258002	Body - Size 12 Hose Burst Valve	1
2	410021	5/16" UNF Plug + O-Ring Assembly Low Pressure	2
3	505104	Pressure Relief Valve Assembly R8	1
4	505105	Manual Override Valve Assembly	1
5	SV12-22-0-N-0	SV12-22 NC Poppet Valve	1
6	4303712	12 Volt Size 10 (12) ER Coil	1



OILPATH HYDRAULICS PTY LTD

21 DELORAINE ROAD, EDWARDSTOWN
 PH: +61 8 8277 4933 FAX: +61 8 8277 9126 A.B.N. 94 117 925 210

REVISION DETAILS			
REV	ECN	DATE	DESCRIPTION
A	-	30-01-09	PRODUCTION

OILPATH HYDRAULICS PTY LTD
 This drawing is the property of the above named Company. Reproduction of this drawing is prohibited without the consent or authority of that Company.

NOTES

- ALL DIMENSIONS IN mm
- ALL DRILL DEPTHS TO SHOULDER
- BREAK ALL SHARP EDGES

GENERAL TOLERANCE

0. = ±0.5mm
 0.0 = ±0.25mm
 0.00 = ±0.10mm
 0.000 = ±0.02mm



UNLESS OTHERWISE STATED

SCALE: 1:1 SHEET 1 OF 1

TITLE Tiger Hydraulics Size 12 Hose Burst Valve Assembly

DRG NO.

07512012

MATL: Various - as individually noted

DRN: IJW

DATE: 30-01-2009

0 REV A3



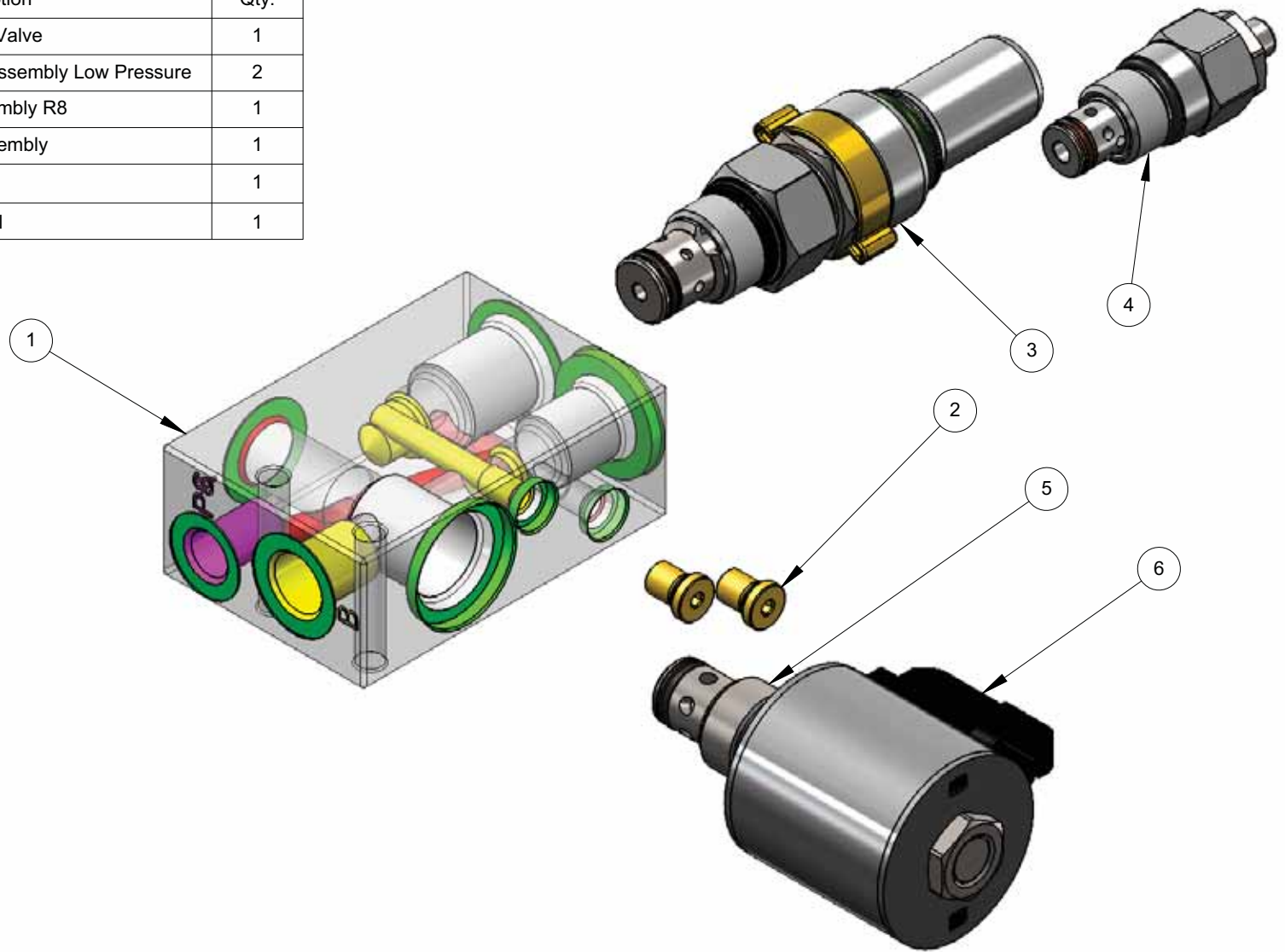
CKD:

DATE:

APP:

DATE:

Item No.	Part No	Description	Qty.
1	258001	Body - Size 10 Hose Burst Valve	1
2	410021	5/16" UNF Plug + O-Ring Assembly Low Pressure	2
3	505104	Pressure Relief Valve Assembly R8	1
4	505105	Manual Override Valve Assembly	1 </td
5	SV10-22-0-N-0	SV10-22 NC Poppet Valve	1
6	4303712	12 Volt Size 10 (12) ER Coil	1



OILPATH HYDRAULICS PTY LTD
 21 DELORAINE ROAD, EDWARDSTOWN
 PH: +61 8 8277 4933 FAX: +61 8 8277 9126 A.B.N. 94 117 925 210

REVISION DETAILS			
REV	ECN	DATE	DESCRIPTION
A	-	30-01-09	PRODUCTION

OILPATH HYDRAULICS PTY LTD
 This drawing is the property of the above named Company. Reproduction of this drawing is prohibited without the consent or authority of that Company.

NOTES

- ALL DIMENSIONS IN mm
- ALL DRILL DEPTHS TO SHOULDER
- BREAK ALL SHARP EDGES

GENERAL TOLERANCE
 0. = ±0.5mm
 0.0 = ±0.25mm
 0.00 = ±0.10mm
 0.000 = ±0.02mm

UNLESS OTHERWISE STATED

SCALE: 1:1 SHEET 1 OF 1

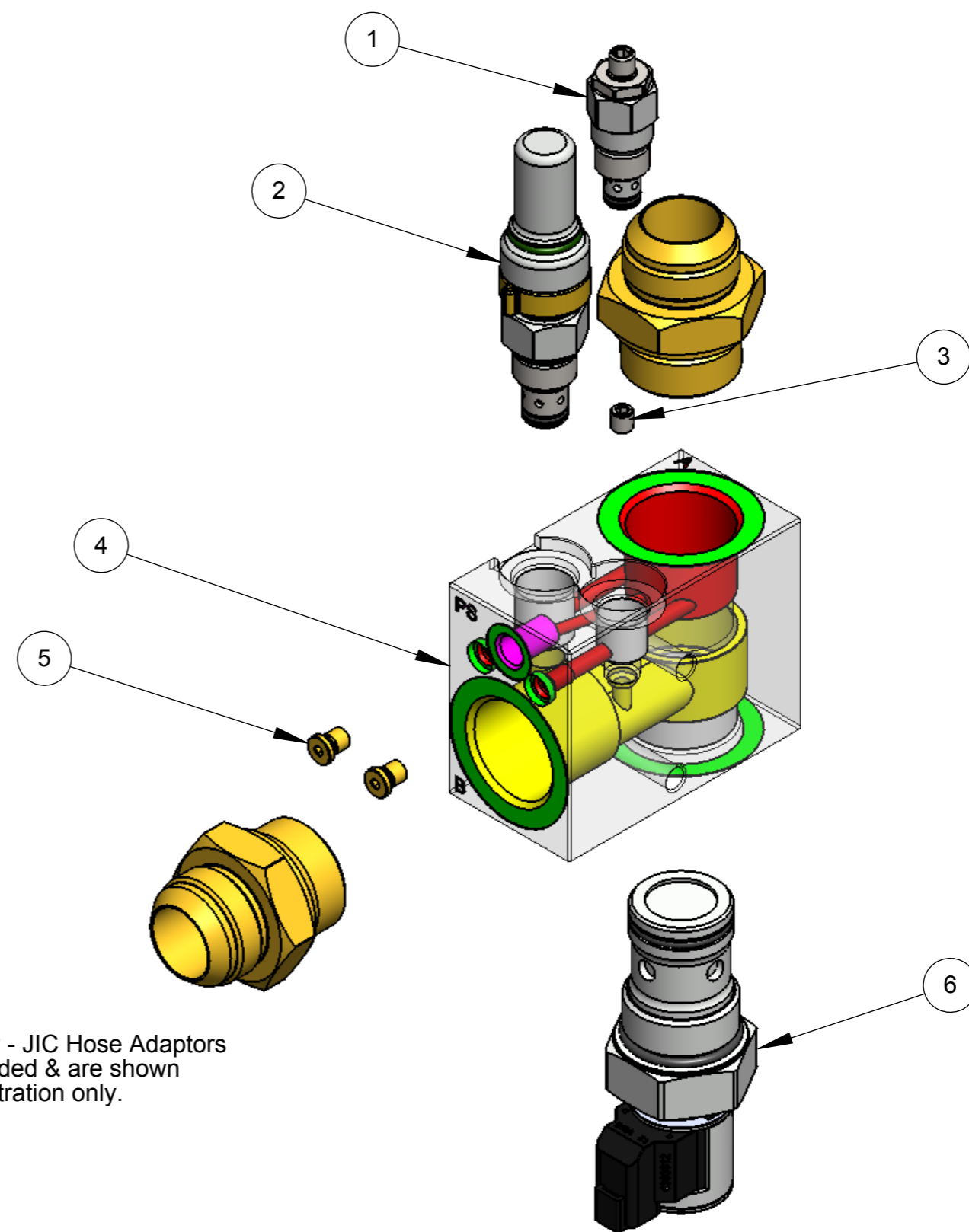
TITLE Tiger Hydraulics Size 10 Hose Burst Valve Assembly			
DRG NO. 07510012		MATL: Various - as individually noted	
0 REV	A3	DRN: IJW	DATE: 30-01-2009
A		CKD:	DATE:
		APP:	DATE:

Item No	Part No	Description	Qty.
1	505105	Manual Override Valve Assembly	1
2	505104	Pressure Relief Valve Assembly R8	1
3	240064	Orifice Plug - 1/16" NPT x 1.5mm Hole	1
4	258005	Body - 1-1/4" BSPP Size 20 Hose Burst Valve	1
5	410121	5/16" UNF Hollow Hex Plug - 350 Bar	2
6	SF20-22-0-P-0	Poppet Valve - Solenoid Actuated	1
7	4303612	12 Volt Size 08 ER Coil	1
7	4303624	24 Volt Size 08 ER Coil	1

Notes

Part No **SF20-22-0-P-0** shown above for the Poppet Valve does not include a Coil

Size 08 ER Coils Part Numbers **4303612** and **4303624** shown above have a Deutsch DT04-2P Connector



1-1/4" BSPP - JIC Hose Adaptors are not included & are shown here for illustration only.

07521012 Assembly includes a 12 Volt Solenoid ER Coil

07521024 Assembly includes a 24 Volt Solenoid ER Coil

OILPATH HYDRAULICS PTY LTD
 21 DELORAINE ROAD, EDWARDSTOWN
 PH: +61 8 8277 4933 FAX: +61 8 8277 9126 A.B.N. 94 117 925 210

REVISION DETAILS			
REV	ECN	DATE	DESCRIPTION
A	-	21-01-10	PRODUCTION

OILPATH HYDRAULICS PTY LTD
 This drawing is the property of the above named Company. Reproduction of this drawing is prohibited without the consent or authority of that Company.

NOTES

- ALL DIMENSIONS IN mm
- ALL DRILL DEPTHS TO SHOULDER
- BREAK ALL SHARP EDGES

GENERAL TOLERANCE
 0. = ±0.5mm
 0.0 = ±0.25mm
 0.00 = ±0.10mm
 0.000 = ±0.02mm

UNLESS OTHERWISE STATED

SCALE: 1:2 SHEET 1 OF 1

TITLE Size 20 1-1/4" BSPP Compact Series Hose Burst Valve	
DRG NO. 075210xx	MATL: Various - as individually noted
REV A	DATE: 21-01-2010
APP:	DATE: