

**OILPATH HYDRAULICS** PTY LTD

21 DELORAINE ROAD, EDWARDSTOWN

PH: +61 8 8277 4933 FAX: +61 8 8277 9126 A.B.N. 94 117 925 210

## Cartridges

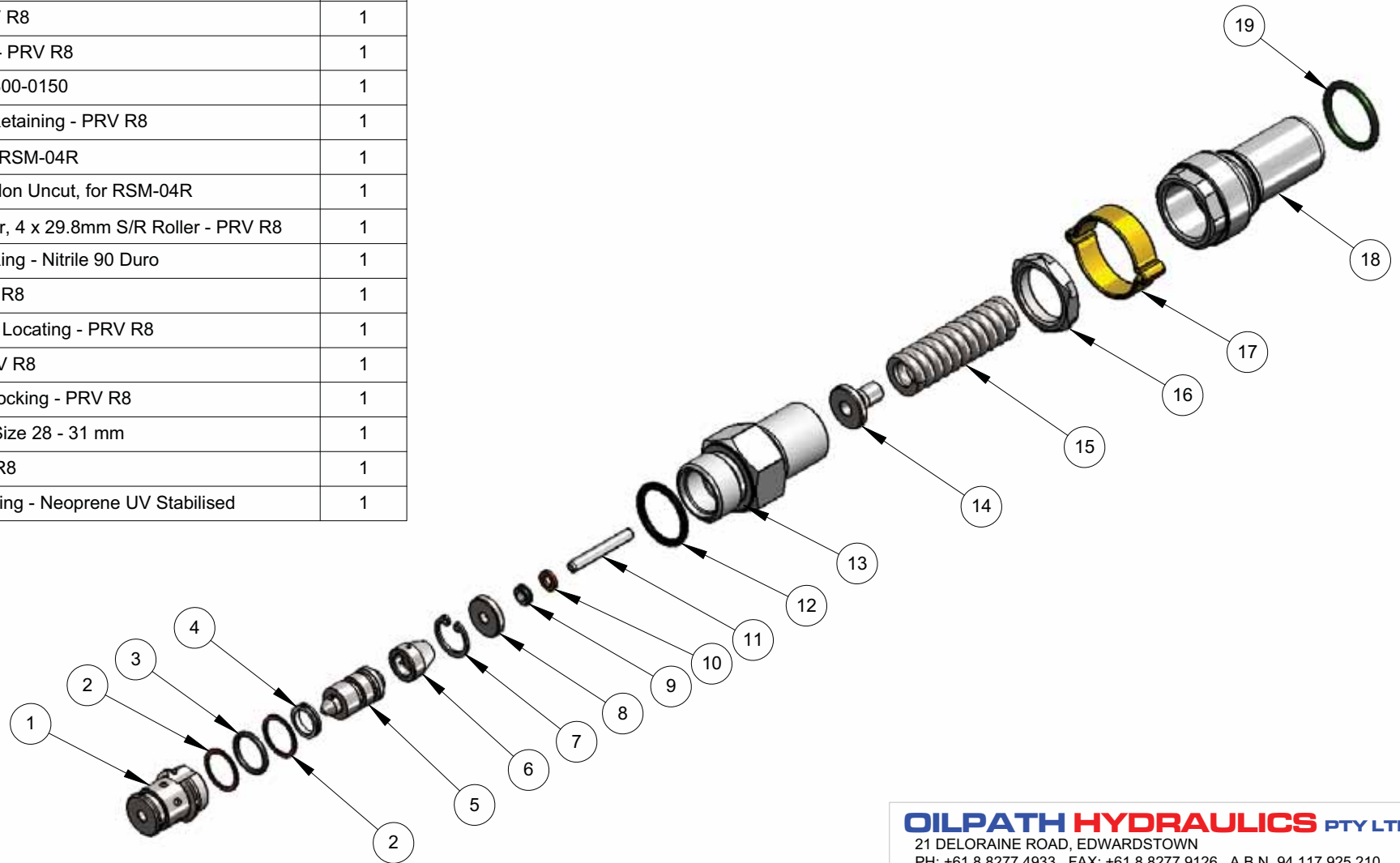
---

**505104** Pressure Relief Valve Assembly R8

**505105** Manual Override Valve Assembly



Item No.	Part No.	Description	Qty.
1	242080	Nose - PRV R8	1
2	402074	BU 014 Backup (Special) - PU	2
3	401325	BS 014 O-Ring - Nitrile 90 Duro	1
4	414005	Poppet Seal - PRV R8	1
5	241044	Spool - PRV R8	1
6	231026	Cap, Spool - PRV R8	1
7	404033	Circlip - D1300-0150	1
8	235100	Disc, Seal Retaining - PRV R8	1
9	401449	Teflon Seal RSM-04R	1
10	402086	Backup, Teflon Uncut, for RSM-04R	1
11	405049	Pin, Actuator, 4 x 29.8mm S/R Roller - PRV R8	1
12	401095	BG 910 O-Ring - Nitrile 90 Duro	1
13	242081	Body - PRV R8	1
14	235099	Cap, Spring Locating - PRV R8	1
15	416267	Spring - PRV R8	1
16	235101	Nut, Body Locking - PRV R8	1
17	404032	OTK Clip - Size 28 - 31 mm	1
18	231025	Cap - PRV R8	1
19	401448	BS 117 O-Ring - Neoprene UV Stabilised	1



REVISION DETAILS			
REV	ECN	DATE	DESCRIPTION
A	-	18-02-09	PRODUCTION

**OILPATH HYDRAULICS PTY LTD**  
 This drawing is the property of the above named Company. Reproduction of this drawing is prohibited without the consent or authority of that Company.

**NOTES**

- ALL DIMENSIONS IN mm
- ALL DRILL DEPTHS TO SHOULDER
- BREAK ALL SHARP EDGES

**GENERAL TOLERANCE**

0. = +0.5mm  
 0.0 = +0.25mm  
 0.00 = +0.10mm  
 0.000 = +0.02mm

0.8/ 0.05

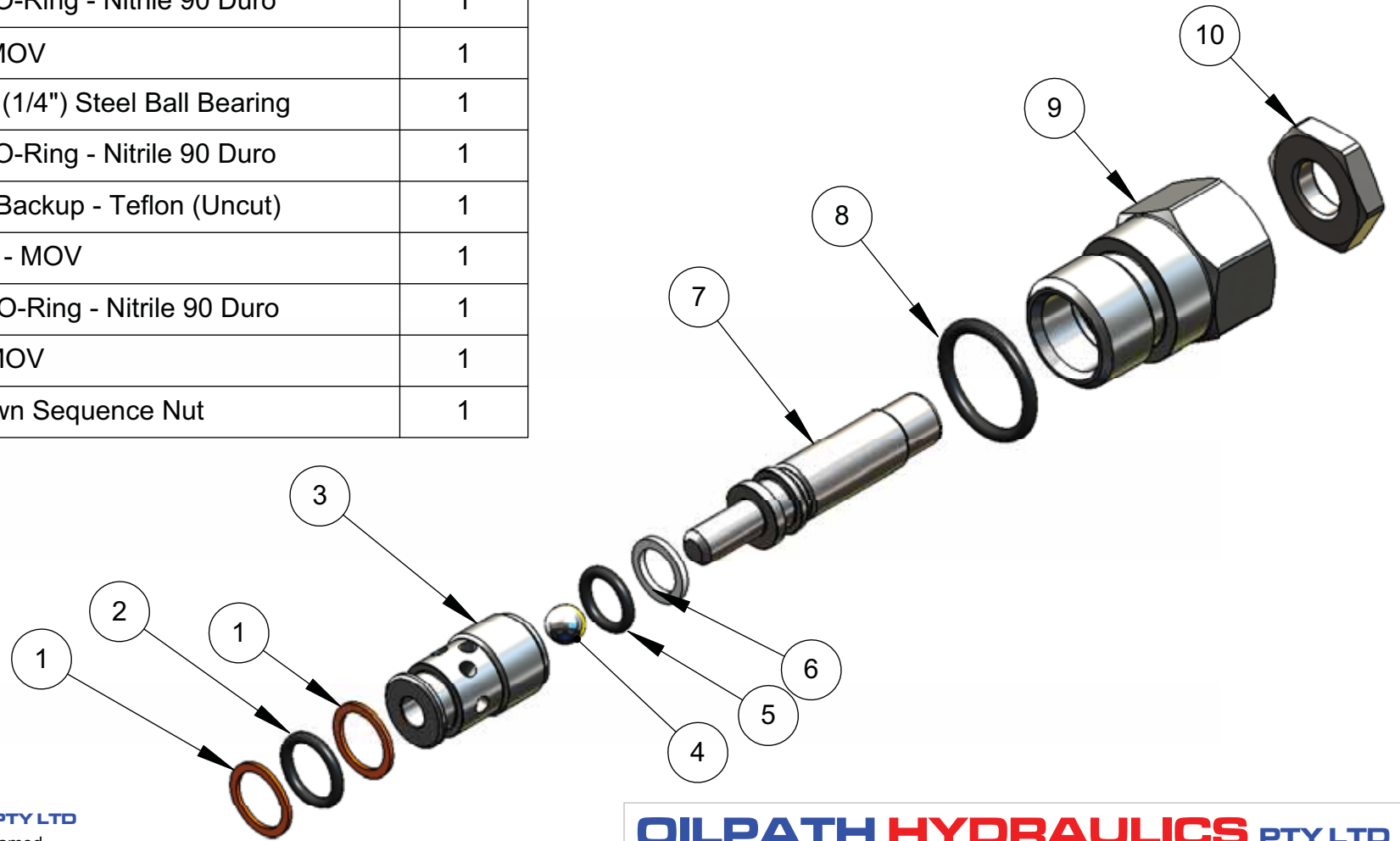
UNLESS OTHERWISE STATED

SCALE: 1:1.5 SHEET 1 OF 1

**OILPATH HYDRAULICS PTY LTD**  
 21 DELORAINE ROAD, EDWARDSTOWN  
 PH: +61 8 8277 4933 FAX: +61 8 8277 9126 A.B.N. 94 117 925 210

TITLE Pressure Relief Valve Assembly R8			
DRG NO. <b>505104</b>		MATL: Various - as individually noted	
REV <b>A</b>		DRN: IJW	DATE: 18-02-2009
APP:		CKD:	DATE:
		APP:	DATE:

Item No	Part No	Description	Qty.
1	402088	BU 012 Backup (Special) - PU	2
2	401239	BS 012 O-Ring - Nitrile 90 Duro	1
3	242083	Nose - MOV	1
4	417005	6.35mm (1/4") Steel Ball Bearing	1
5	401402	BS 011 O-Ring - Nitrile 90 Duro	1
6	402057	BU 011 Backup - Teflon (Uncut)	1
7	240318	Adjuster - MOV	1
8	401056	BG 908 O-Ring - Nitrile 90 Duro	1
9	242082	Body - MOV	1
10	235035	Kick Down Sequence Nut	1



**OILPATH HYDRAULICS PTY LTD**

This drawing is the property of the above named Company. Reproduction of this drawing is prohibited without the consent or authority of that Company.

**OILPATH HYDRAULICS PTY LTD**

21 DELORAINE ROAD, EDWARDSTOWN  
 PH: +61 8 8277 4933 FAX: +61 8 8277 9126 A.B.N. 94 117 925 210

REVISION DETAILS			
REV	ECN	DATE	DESCRIPTION
A	-	13-01-09	PRODUCTION

**NOTES**

- ALL DIMENSIONS IN mm
- ALL DRILL DEPTHS TO SHOULDER
- BREAK ALL SHARP EDGES

**GENERAL TOLERANCE**

0. = ±0.5 mm  
 0.0 = ±0.25 mm  
 0.00 = ±0.10 mm  
 0.000 = ±0.02 mm

1.6/ 0.10

UNLESS OTHERWISE STATED

SCALE:1:1 SHEET 1 OF 1

TITLE		<b>Manual Override Valve Assembly</b>	
DRG NO.		MATL: Various - as individually noted	
<b>505105</b>		DRN: IJW	DATE: 18-02-2009
0 REV	A4	CKD:	DATE:
<b>A</b>		APP:	DATE: