

OILPATH HYDRAULICS PTY LTD

21 DELORAIN ROAD, EDWARDSTOWN

PH: +61 8 8277 4933 FAX: +61 8 8277 9126 A.B.N. 94 117 925 210

3/4" Series Hose Burst Valves

Part No.	Style	Description
07120034	Inline	3/4" BSPP Tapped Ports 3100 – 5000* psi (215 – 350* bar) (200 l/m)
07120035	Offset	3/4" BSPP Tapped Ports – Cylinder Port is Offset 3100 – 5000* psi (215 – 350* bar) (200 l/m)
07120061	Inline Code 61	SAE Code 61 Flange (M10) 5000* psi (350* bar) (200 l/m)
07129061	90 Degree Code 61	SAE Code 61 Flange (M10) – Cylinder Port is at 90 Degrees 5000* psi (350* bar) (200 l/m) <i>A 90 Degree Mounting Kit is Supplied: containing four M10 x 60 Socket Head Cap Screws, four 10mm Lock Washers + one BS-214 O-Ring</i>
07129062	90 Degree Code 61/62	SAE Code 61 Flange Inlet (M10) + Code 62 Flange Outlet (M10) – Cylinder Port is at 90 Degrees 5000* psi (350* bar) (200 l/m) <i>A 90 Degree Mounting Kit is Supplied: containing four M10 x 60 Socket Head Cap Screws, four 10mm Lock Washers + one BS-214 O-Ring</i>

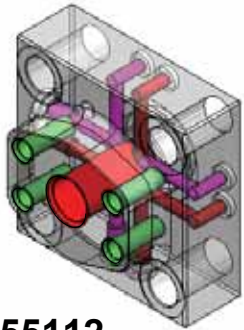
* Please note that the Maximum Pressure Rating is dependant on the style of Hydraulic Adaptor screwed into the BSPP Ports, and for SAE Flange Mount Options, the Maximum Pressure Rating is dependant on the Grade of Bolts or Socket Head Cap Screws used to secure the Code 61 Flanges to the Ports

Effective 14 September 2009

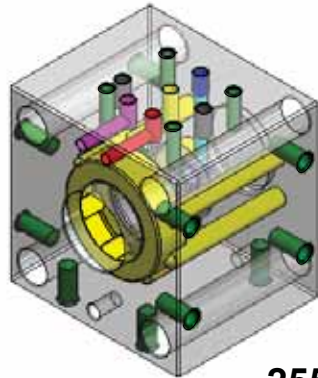
- 07129063** **90 Degree** SAE Code 61 Flange (M10) + Code 62 1" Flange Outlet (M12) – Cylinder Port is at 90 Degrees
Code 61/62 5000* psi (350* bar) (200 l/m)
A 90 Degree Mounting Kit is Supplied: containing four M12 x 65 Socket Head Cap Screws, four 12mm Lock Washers + one BS-219 O-Ring
- 07129064** **90 Degree** SAE Code 61 Flange (M10) + Code 61 1" Flange Outlet (M10) – Cylinder Port is at 90 Degrees
Code 61/62 5000* psi (350* bar) (200 l/m)
A 90 Degree Mounting Kit is Supplied: containing four M10 x 60 Socket Head Cap Screws, four 10mm Lock Washers + one BS-219 O-Ring
-

*This is a complete listing of all available configurations as at 28th August, 2009 for this Series of Hose Burst Valves.
Oilpaths modular design offers a variety of Inlet and Outlet sections for alternative Porting layouts.
Please contact Oilpath Hydraulics for any variations not listed.*

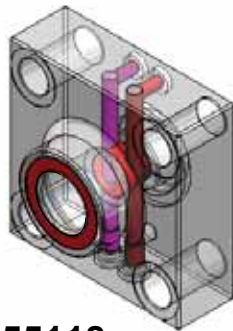
** Please note that the Maximum Pressure Rating is dependant on the style of Hydraulic Adaptor screwed into the BSPP Ports, and for SAE Flange Mount Options, the Maximum Pressure Rating is dependant on the Grade of Bolts or Socket Head Cap Screws used to secure the Code 61 Flanges to the Ports*



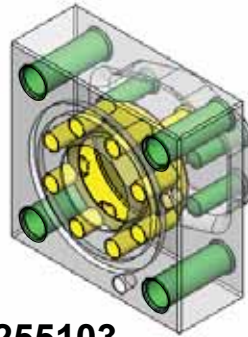
255112
Inlet Section 3/4"
Code 61 Metric (M10)



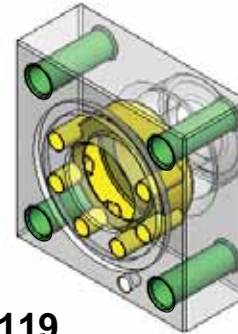
255002
Centre Section 3/4"
Common to all Assemblies



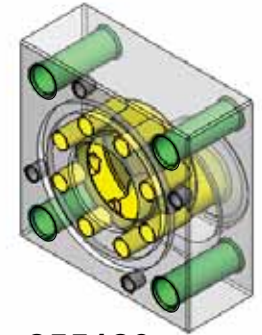
255118
Inlet Section 3/4"
3/4" BSPP



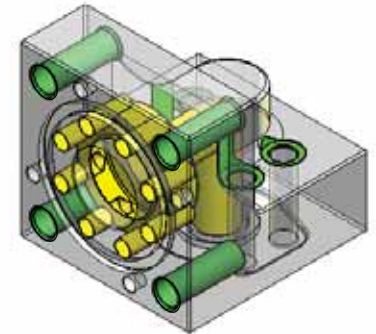
255103
Inline Outlet Section 3/4"
Code 61 Metric (M10)



255119
Inline Outlet Section 3/4"
3/4" BSPP



255120
Offset Outlet Section 3/4"
3/4" BSPP



255212
90 DEG Outlet Section 3/4"
Code 61 Metric (M10)

3/4" Series

OILPATH HYDRAULICS PTY LTD

21 DELORAINE ROAD, EDWARDSTOWN
PH: +61 8 8277 4933 FAX: +61 8 8277 9126 A.B.N. 94 117 925 210

REVISION DETAILS			
REV	ECN	DATE	DESCRIPTION
A	-	08-04-09	PRODUCTION

OILPATH HYDRAULICS PTY LTD
This drawing is the property of the above named Company. Reproduction of this drawing is prohibited without the consent or authority of that Company.

NOTES

- ALL DIMENSIONS IN mm
- ALL DRILL DEPTHS TO SHOULDER
- BREAK ALL SHARP EDGES

GENERAL TOLERANCE

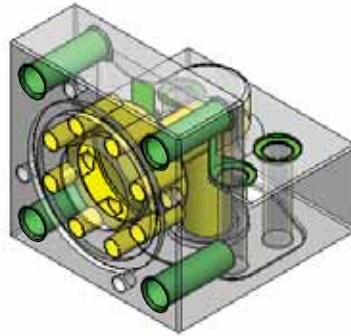
- 0. = ±0.5mm
- 0.0 = ±0.25mm
- 0.00 = ±0.10mm
- 0.000 = ±0.02mm



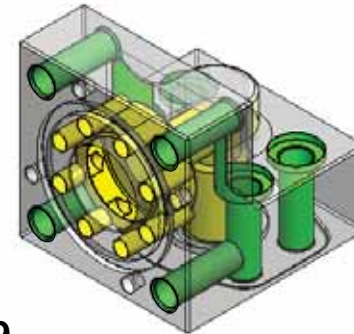
UNLESS OTHERWISE STATED

SCALE: 1:2 SHEET 1 OF 2

TITLE 3/4" Hose Burst Valve Components			
DRG NO.		MATL: Various - as individually noted	
Reference		DRN: IJW	DATE: 08-04-2009
0 REV	A3	CKD:	DATE:
A		APP:	DATE:



255213
 90 DEG Outlet Section 3/4"
 Code 62 Metric (M10)



255219
 90 DEG Outlet Section 3/4"
 1" SAE Flange
 Code 62 Metric (M12)

3/4" Series

OILPATH HYDRAULICS PTY LTD
 21 DELORAINE ROAD, EDWARDSTOWN
 PH: +61 8 8277 4933 FAX: +61 8 8277 9126 A.B.N. 94 117 925 210

REVISION DETAILS			
REV	ECN	DATE	DESCRIPTION
A	-	26-08-09	PRODUCTION

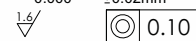
OILPATH HYDRAULICS PTY LTD
 This drawing is the property of the above named Company. Reproduction of this drawing is prohibited without the consent or authority of that Company.

NOTES

- ALL DIMENSIONS IN mm
- ALL DRILL DEPTHS TO SHOULDER
- BREAK ALL SHARP EDGES

GENERAL TOLERANCE

0. = ±0.5mm
 0.0 = ±0.25mm
 0.00 = ±0.10mm
 0.000 = ±0.02mm



UNLESS OTHERWISE STATED

SCALE: 1:2 SHEET 2 OF 2

TITLE 3/4" Hose Burst Valve Components		MATL: Various - as individually noted	
DRG NO.	Reference	DRN: IJW	DATE: 26-08-2009
0 REV	A3	CKD:	DATE:
A		APP:	DATE:

Item No	Part No	Description	Qty.
1	255119	Burst Valve Outlet (Inline) Section 3/4" + 3/4" BSPP	1
2	410121	5/16" UNF Hollow Hex Plug - 350 Bar	3
3	401452	BS 230 Nitrile O-Ring - 90 Duro	1
4	255002	Burst Valve Centre Section 3/4"	1
5	240314	Orifice Plug - M6 x 8 x Dia 0.60mm Hole	1
6	505107	CPS 16 Logic Element	1
7	401453	BS 107 Nitrile O-Ring - 90 Duro	2
8	405004	M6 x 16 Sellock Spring Pin	2
9	401463	BS 221 Nitrile O-Ring - 90 Duro	1
10	255118	Burst Valve Inlet Section 3/4" + 3/4" BSPP	1
11	418062	NL14 Nord-Lock Washer	4
12	415403	M14 x 140 SHCS Grade 12.9	4

Torque Wrench Settings

M6 x 75 SHCS (Control Manifold) - 15 N m

M14 x 140 SHCS (End Caps) - 240 N m

Note:

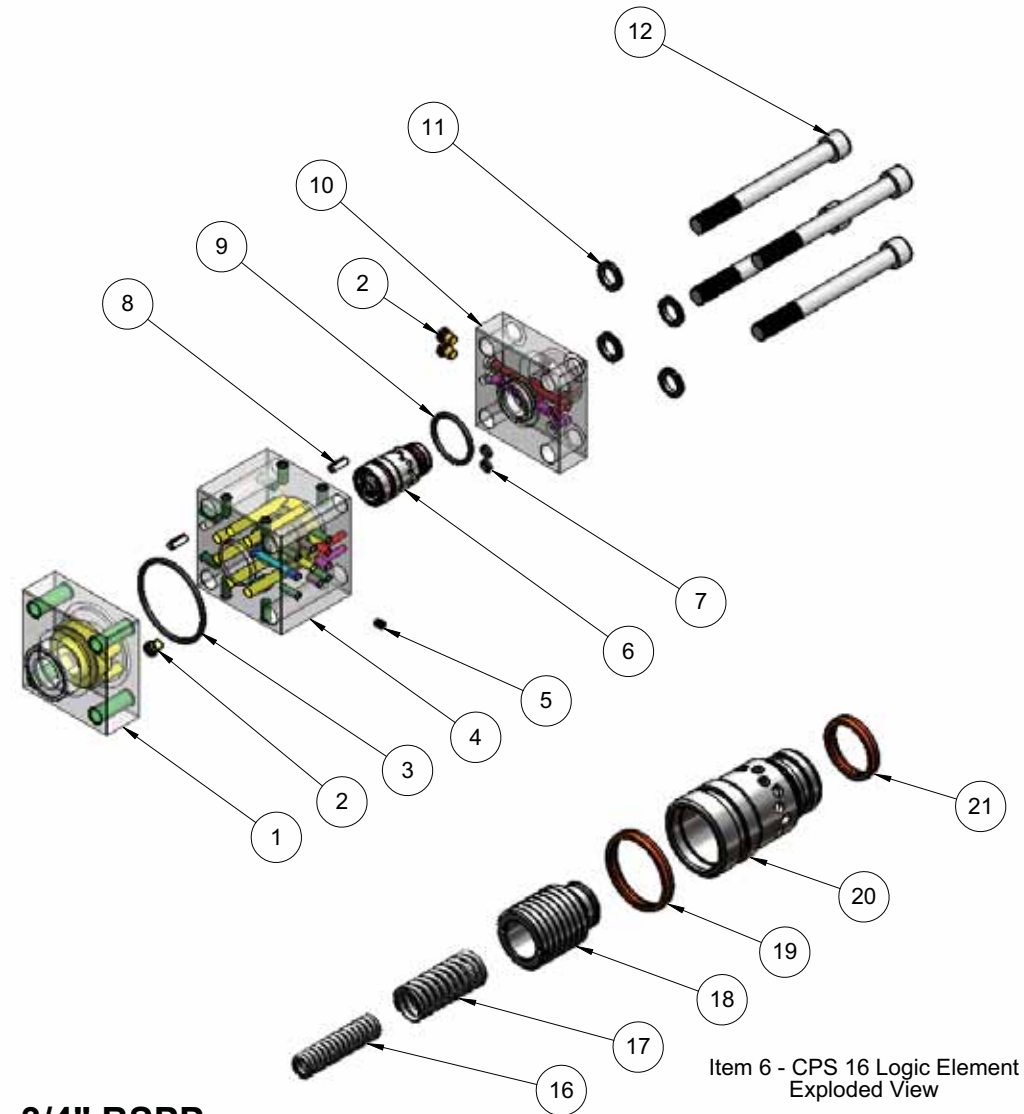
Use Loctite Nickel Anti-Seize on all SHCS during assembly.

Item No	Part No	Description	Qty.
16	416270	Spring, Inner - CPS16 Logic Element	1
17	416269	Spring, Outer - CPS16 Logic Element	1
18	238065	Poppet - CPS16 Logic Element	1
19	401457	32 Dia Seal - PU	1
20	246077	Body - CPS16 Logic Element	1
21	401456	25 Dia Seal - PU	1

REVISION DETAILS			
REV	ECN	DATE	DESCRIPTION
A	-	04-06-09	PRODUCTION

OILPATH HYDRAULICS PTY LTD
 This drawing is the property of the above named Company. Reproduction of this drawing is prohibited without the consent or authority of that Company.

3/4" BSPP Inline Outlet



NOTES

- ALL DIMENSIONS IN mm
- ALL DRILL DEPTHS TO SHOULDER
- BREAK ALL SHARP EDGES

GENERAL TOLERANCE

0. = ±0.5mm
 0.0 = ±0.25mm
 0.00 = ±0.10mm
 0.000 = ±0.02mm

UNLESS OTHERWISE STATED

SCALE: N/A SHEET 1 OF 1

OILPATH HYDRAULICS PTY LTD
 21 DELORAIN ROAD, EDWARDSTOWN
 PH: +61 8 8277 4933 FAX: +61 8 8277 9126 A.B.N. 94 117 925 210

TITLE
 OP70 INLINE 3/4 - 3/4 BSPP Hoist Control Valve

DRG NO.
07120034

MATL: Various - as individually noted

DRN: IJW

DATE: 04-06-2009

0 REV
A



CKD:

DATE:

APP:

DATE:

Item No	Part No	Description	Qty.
1	255120	Burst Valve Offset Outlet Section 3/4" BSPP	1
2	410121	5/16" UNF Hollow Hex Plug - 350 Bar	3
3	401452	BS 230 Nitrile O-Ring - 90 Duro	1
4	255002	Burst Valve Centre Section 3/4"	1
5	240314	Orifice Plug - M6 x 8 x Dia 0.60mm Hole	1
6	505107	CPS 16 Logic Element	1
7	401453	BS 107 Nitrile O-Ring - 90 Duro	2
8	405004	M6 x 16 Sellock Spring Pin	2
9	401463	BS 221 Nitrile O-Ring - 90 Duro	1
10	255118	Burst Valve Inlet Section 3/4" + 3/4" BSPP	1
11	418062	NL14 Nord-Lock Washer	4
12	415403	M14 x 140 SHCS Grade 12.9	4

Torque Wrench Settings

M6 x 75 SHCS (Control Manifold) - 15 N m

M14 x 140 SHCS (End Caps) - 240 N m

Note:

Use Loctite Nickel Anti-Seize on all SHCS during assembly.

Item No	Part No	Description	Qty.
16	416270	Spring, Inner - CPS16 Logic Element	1
17	416269	Spring, Outer - CPS16 Logic Element	1
18	238065	Poppet - CPS16 Logic Element	1
19	401457	32 Dia Seal - PU	1
20	246077	Body - CPS16 Logic Element	1
21	401456	25 Dia Seal - PU	1

REVISION DETAILS			
REV	ECN	DATE	DESCRIPTION
A	-	25-06-09	PRODUCTION

OILPATH HYDRAULICS PTY LTD
 This drawing is the property of the above named Company. Reproduction of this drawing is prohibited without the consent or authority of that Company.

NOTES

- ALL DIMENSIONS IN mm
- ALL DRILL DEPTHS TO SHOULDER
- BREAK ALL SHARP EDGES

GENERAL TOLERANCE

0. = ±0.5mm
 0.0 = ±0.25mm
 0.00 = ±0.10mm
 0.000 = ±0.02mm

UNLESS OTHERWISE STATED

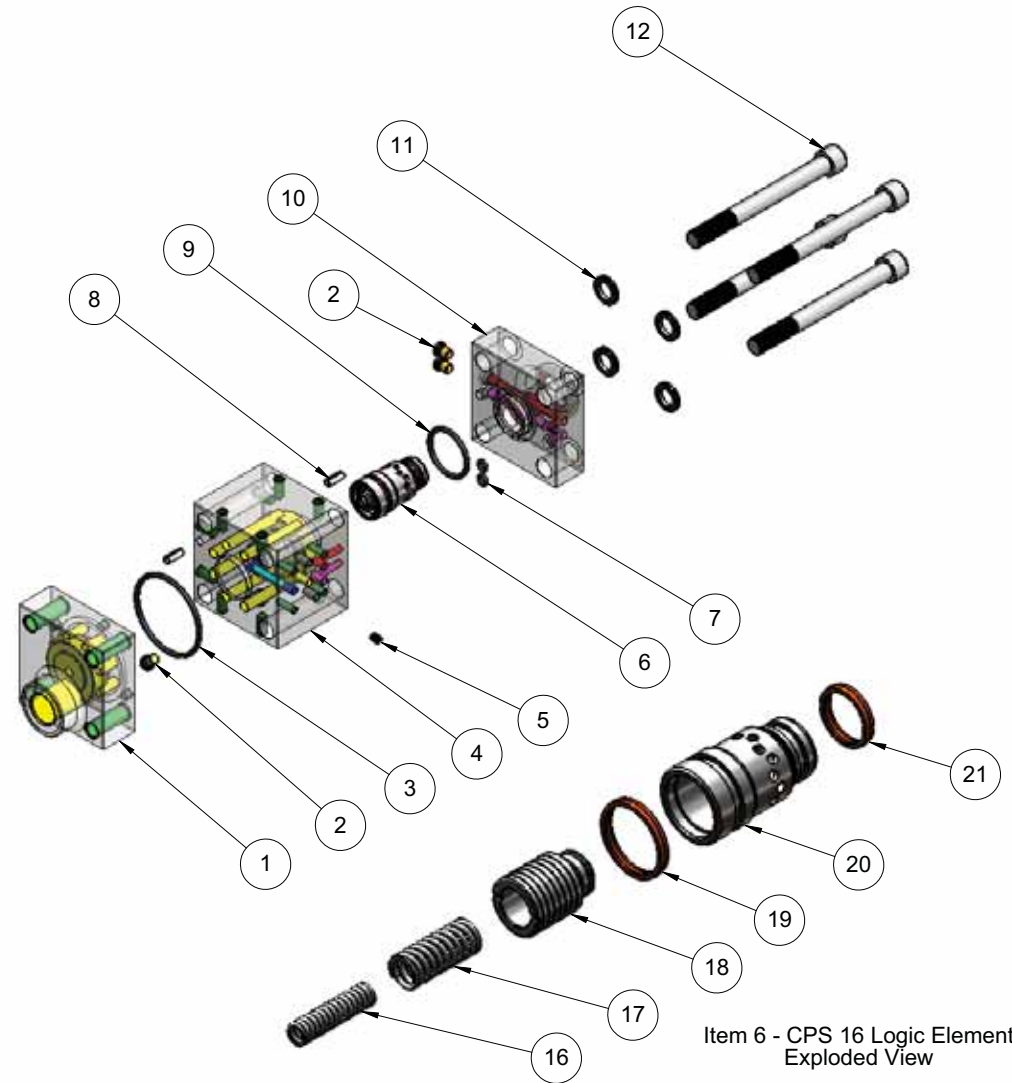
SCALE: N/A SHEET 1 OF 1

OILPATH HYDRAULICS PTY LTD

21 DELORAIN ROAD, EDWARDSTOWN
 PH: +61 8 8277 4933 FAX: +61 8 8277 9126 A.B.N. 94 117 925 210

TITLE
 OP70 INLINE 3/4 - 3/4 BSPP Offset Outlet Hoist Control Valve

DRG NO. 07120035	MATL: Various - as individually noted
0 REV A	DRN: IJW DATE: 25-06-2009
	CKD: DATE:
	APP: DATE:



3/4" BSPP Offset Outlet

Item No	Part No	Description	Qty.
1	255103	Burst Valve Outlet (Inline) Section 3/4" Code 61 Metric	1
2	410121	5/16" UNF Hollow Hex Plug - 350 Bar	5
3	401452	BS 230 Nitrile O-Ring - 90 Duro	1
4	255002	Burst Valve Centre Section 3/4"	1
5	240314	Orifice Plug - M6 x 8 x Dia 0.60mm Hole	1
6	505107	CPS 16 Logic Element	1
7	401453	BS 107 Nitrile O-Ring - 90 Duro	4
8	405004	M6 x 16 Sellock Spring Pin	2
9	401463	BS 221 Nitrile O-Ring - 90 Duro	1
10	255112	Burst Valve Inlet Section 3/4" Code 61 Metric	1
11	418062	NL14 Nord-Lock Washer	4
12	415403	M14 x 140 SHCS Grade 12.9	4

Torque Wrench Settings

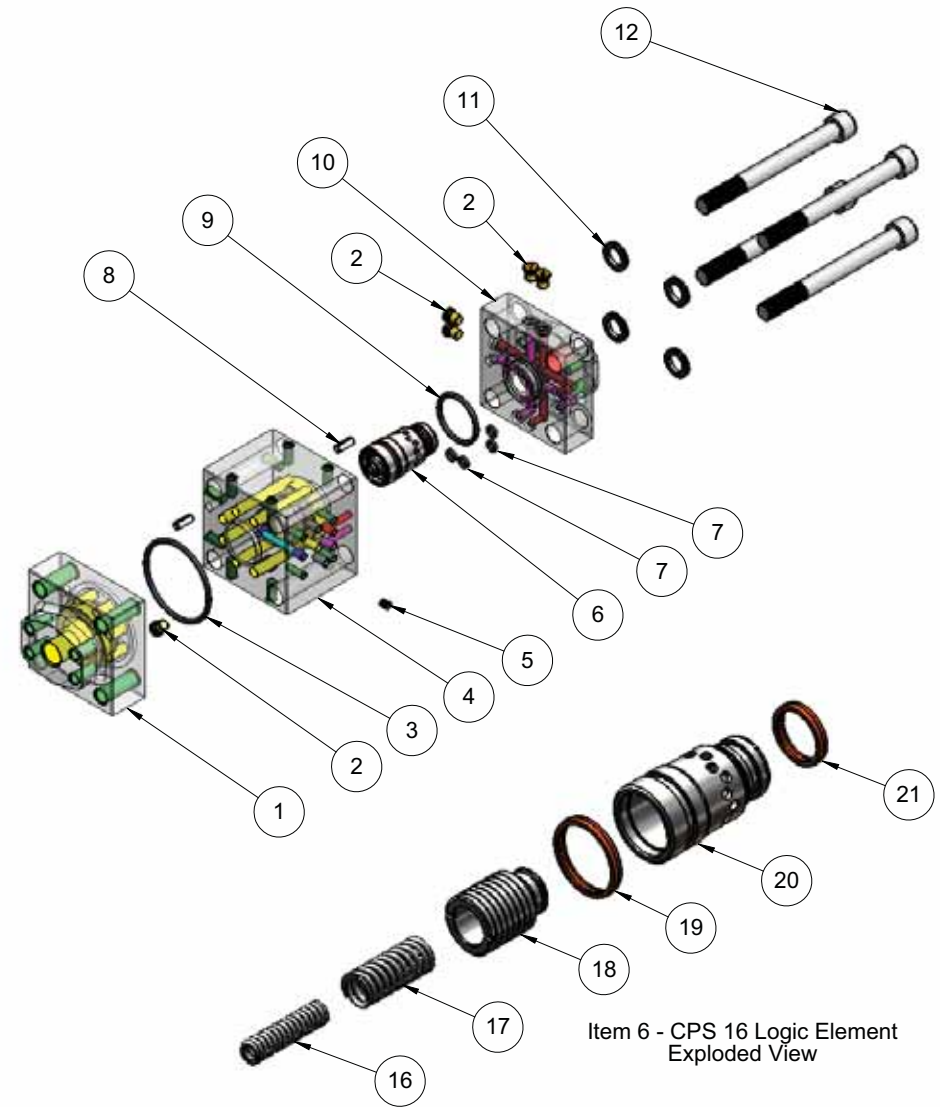
M6 x 75 SHCS (Control Manifold) - 15 N m

M14 x 140 SHCS (End Caps) - 240 N m

Note:

Use Loctite Nickel Anti-Seize on all SHCS during assembly.

Item No	Part No	Description	Qty.
16	416270	Spring, Inner - CPS16 Logic Element	1
17	416269	Spring, Outer - CPS16 Logic Element	1
18	238065	Poppet - CPS16 Logic Element	1
19	401457	32 Dia Seal - PU	1
20	246077	Body - CPS16 Logic Element	1
21	401456	25 Dia Seal - PU	1



Item 6 - CPS 16 Logic Element Exploded View

SAE METRIC (M10) Inline Outlet

OILPATH HYDRAULICS PTY LTD

21 DELORAINE ROAD, EDWARDSTOWN
PH: +61 8 8277 4933 FAX: +61 8 8277 9126 A.B.N. 94 117 925 210

TITLE OP70 INLINE 3/4 SAE Code 61 Flange Hoist Control Valve	
DRG NO. 07120061	MATL: Various - as individually noted
0 REV A	DRN: IJW DATE: 06-02-2009
APP:	DATE:

REVISION DETAILS			
REV	ECN	DATE	DESCRIPTION
A	-	01-05-09	PRODUCTION

OILPATH HYDRAULICS PTY LTD
This drawing is the property of the above named Company. Reproduction of this drawing is prohibited without the consent or authority of that Company.

NOTES

- ALL DIMENSIONS IN mm
- ALL DRILL DEPTHS TO SHOULDER
- BREAK ALL SHARP EDGES

GENERAL TOLERANCE

0. = ±0.5mm
0.0 = ±0.25mm
0.00 = ±0.10mm
0.000 = ±0.02mm

UNLESS OTHERWISE STATED

SCALE: N/A SHEET 1 OF 1

Item No	Part No	Description	Qty.
1	255212	Burst Valve Outlet (90 Deg) Section 3/4" Code 61 Metric	1
2	410121	5/16" UNF Hollow Hex Plug - 350 Bar	5
3	401452	BS 230 Nitrile O-Ring - 90 Duro	1
4	255002	Burst Valve Centre Section 3/4"	1
5	240314	Orifice Plug - M6 x 8 x Dia 0.60mm Hole	1
6	505107	CPS 16 Logic Element	1
7	401453	BS 107 Nitrile O-Ring - 90 Duro	4
8	405004	M6 x 16 Sellock Spring Pin	2
9	401463	BS 221 Nitrile O-Ring - 90 Duro	1
10	255112	Burst Valve Inlet Section 3/4" Code 61 Metric	1
11	418062	NL14 Nord-Lock Washer	4
12	415403	M14 x 140 SHCS Grade 12.9	4
13	415182	M10 x 60 SHCS Grade 12.9	4
14	418067	NL10 Nord-Lock Washer	4
15	401469	BS 214 Nitrile O-Ring - 90 Duro	1

Torque Wrench Settings

M6 x 75 SHCS (Control Manifold) - 15 N m

M14 x 140 SHCS (End Caps) - 240 N m

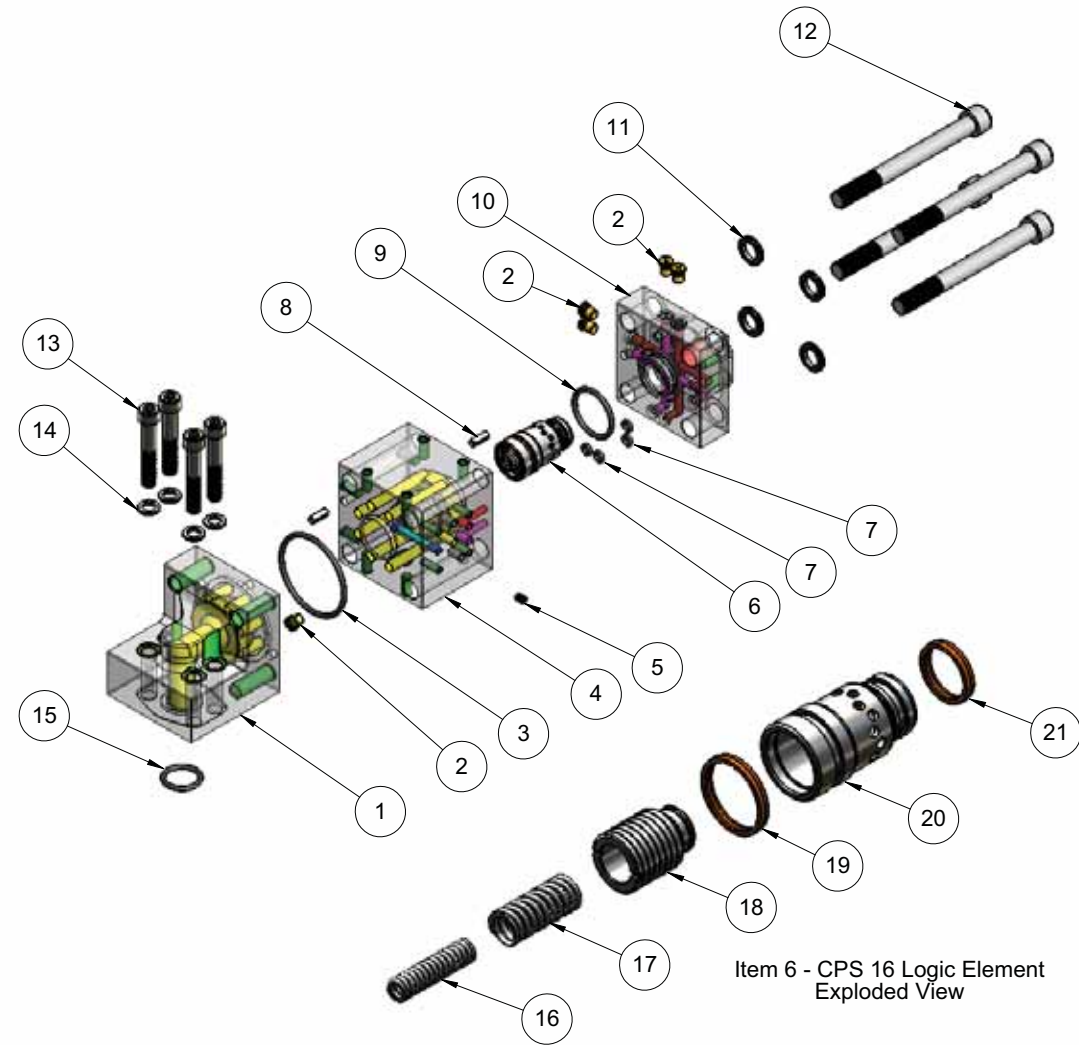
Note:

Use Loctite Nickel Anti-Seize on all SHCS during assembly.

Item No	Part No	Description	Qty.
16	416270	Spring, Inner - CPS16 Logic Element	1
17	416269	Spring, Outer - CPS16 Logic Element	1
18	238065	Poppet - CPS16 Logic Element	1
19	401457	32 Dia Seal - PU	1
20	246077	Body - CPS16 Logic Element	1
21	401456	25 Dia Seal - PU	1

REVISION DETAILS			
REV	ECN	DATE	DESCRIPTION
A	-	01-05-09	PRODUCTION

OILPATH HYDRAULICS PTY LTD
 This drawing is the property of the above named Company. Reproduction of this drawing is prohibited without the consent or authority of that Company.



SAE METRIC (M10) 90 Degree Outlet

NOTES

- ALL DIMENSIONS IN mm
- ALL DRILL DEPTHS TO SHOULDER
- BREAK ALL SHARP EDGES

GENERAL TOLERANCE

0. = ±0.5mm
 0.0 = ±0.25mm
 0.00 = ±0.10mm
 0.000 = ±0.02mm

UNLESS OTHERWISE STATED

SCALE: N/A SHEET 1 OF 1

OILPATH HYDRAULICS PTY LTD

21 DELORAINIE ROAD, EDWARDSTOWN
 PH: +61 8 8277 4933 FAX: +61 8 8277 9126 A.B.N. 94 117 925 210

TITLE OP70 90 DEG 3/4 SAE Code 61 Flange Hoist Control Valve	
DRG NO. 07129061	MATL: Various - as individually noted
0 REV A3	DRN: IJW DATE: 06-02-2009
APP:	DATE:

Item No	Part No	Description	Qty.
1	255213	Burst Valve Outlet (90 Deg) Section 3/4" Code 62 Metric	1
2	410121	5/16" UNF Hollow Hex Plug - 350 Bar	5
3	401452	BS 230 Nitrile O-Ring - 90 Duro	1
4	255002	Burst Valve Centre Section 3/4"	1
5	240314	Orifice Plug - M6 x 8 x Dia 0.60mm Hole	1
6	505107	CPS 16 Logic Element	1
7	401453	BS 107 Nitrile O-Ring - 90 Duro	4
8	405004	M6 x 16 Sellock Spring Pin	2
9	401463	BS 221 Nitrile O-Ring - 90 Duro	1
10	255112	Burst Valve Inlet Section 3/4" Code 61 Metric	1
11	418062	NL14 Nord-Lock Washer	4
12	415403	M14 x 140 SHCS Grade 12.9	4
13	415182	M10 x 60 SHCS Grade 12.9	4
14	418067	NL10 Nord-Lock Washer	4
15	401469	BS 214 Nitrile O-Ring - 90 Duro	1

Torque Wrench Settings

M6 x 75 SHCS (Control Manifold) - 15 N m

M14 x 140 SHCS (End Caps) - 240 N m

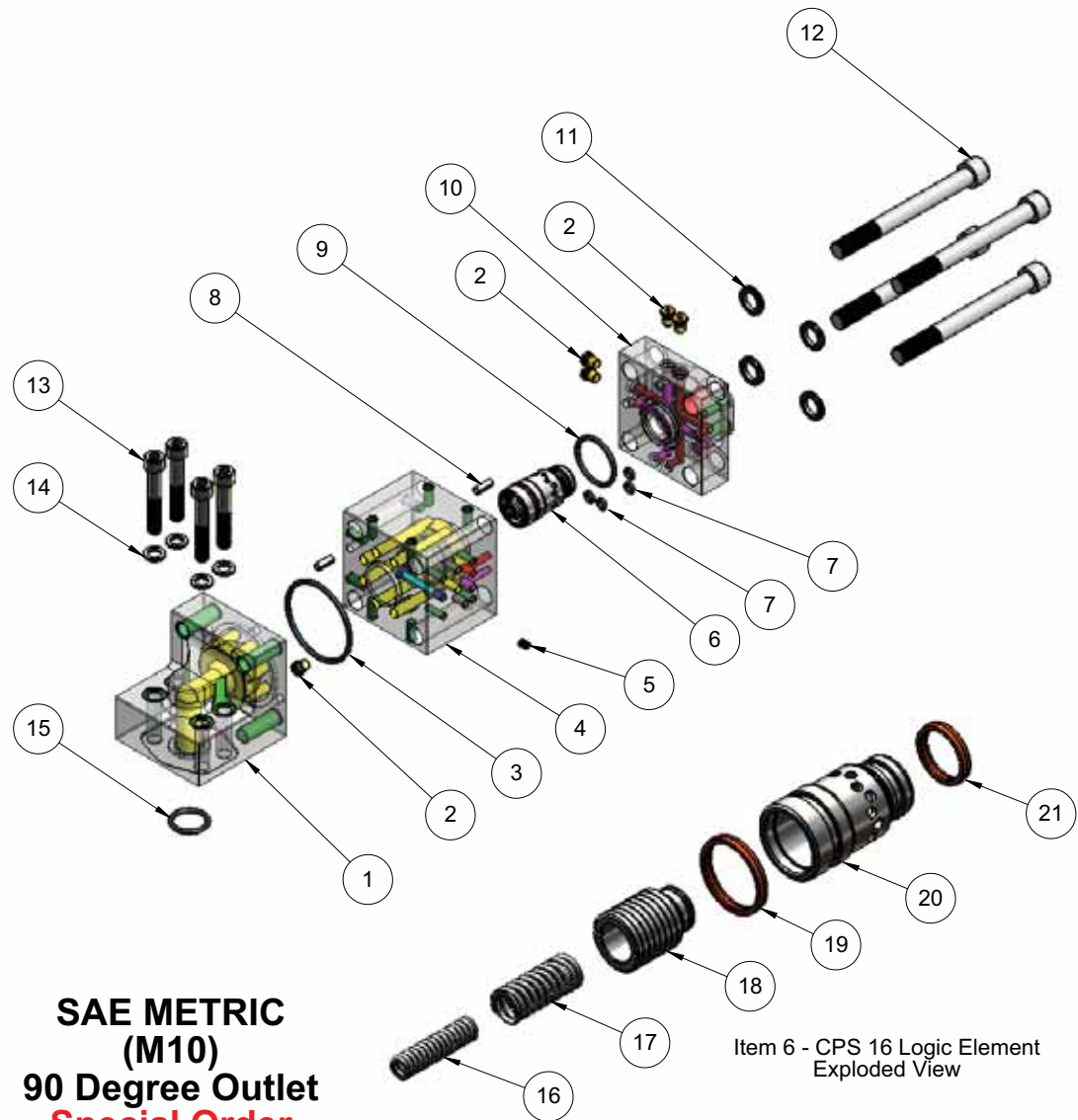
Note:

Use Loctite Nickel Anti-Seize on all SHCS during assembly.

Item No	Part No	Description	Qty.
16	416270	Spring, Inner - CPS16 Logic Element	1
17	416269	Spring, Outer - CPS16 Logic Element	1
18	238065	Poppet - CPS16 Logic Element	1
19	401457	32 Dia Seal - PU	1
20	246077	Body - CPS16 Logic Element	1
21	401456	25 Dia Seal - PU	1

REVISION DETAILS			
REV	ECN	DATE	DESCRIPTION
A	-	26-08-09	PRODUCTION

OILPATH HYDRAULICS PTY LTD
 This drawing is the property of the above named Company. Reproduction of this drawing is prohibited without the consent or authority of that Company.



**SAE METRIC
 (M10)
 90 Degree Outlet
 Special Order
 3/4" Code 61 Inlet
 3/4" Code 62 90 Deg Outlet**

NOTES

- ALL DIMENSIONS IN mm
- ALL DRILL DEPTHS TO SHOULDER
- BREAK ALL SHARP EDGES

GENERAL TOLERANCE

0. = ±0.5mm
 0.0 = ±0.25mm
 0.00 = ±0.10mm
 0.000 = ±0.02mm

UNLESS OTHERWISE STATED

SCALE: N/A SHEET 1 OF 1

OILPATH HYDRAULICS PTY LTD

21 DELORAIN ROAD, EDWARDSTOWN
 PH: +61 8 8277 4933 FAX: +61 8 8277 9126 A.B.N. 94 117 925 210

TITLE OP70 90 DEG 3/4 SAE Code 62 Flange Hoist Control Valve

DRG NO. 07129062	MATL: Various - as individually noted
0 REV A3	DRN: IJW DATE: 26-08-2009
APP:	DATE:

Item No	Part No	Description	Qty.
1	255219	Burst Valve Outlet (90 Deg) Section 1" Code 62 Metric	1
2	410121	5/16" UNF Hollow Hex Plug - 350 Bar	5
3	401452	BS 230 Nitrile O-Ring - 90 Duro	1
4	255002	Burst Valve Centre Section 3/4"	1
5	240314	Orifice Plug - M6 x 8 x Dia 0.60mm Hole	1
6	505107	CPS 16 Logic Element	1
7	401453	BS 107 Nitrile O-Ring - 90 Duro	4
8	405004	M6 x 16 Sellock Spring Pin	2
9	401463	BS 221 Nitrile O-Ring - 90 Duro	1
10	255112	Burst Valve Inlet Section 3/4" Code 61 Metric	1
11	418062	NL14 Nord-Lock Washer	4
12	415403	M14 x 140 SHCS Grade 12.9	4
13	415227	M12 x 65 SHCS Grade 12.9	4
14	418069	NL12 Nord-Lock Washer	4
15	401467	BS 219 Nitrile O-Ring - 90 Duro	1

Torque Wrench Settings

M6 x 75 SHCS (Control Manifold) - 15 N m

M14 x 140 SHCS (End Caps) - 240 N m

Note:

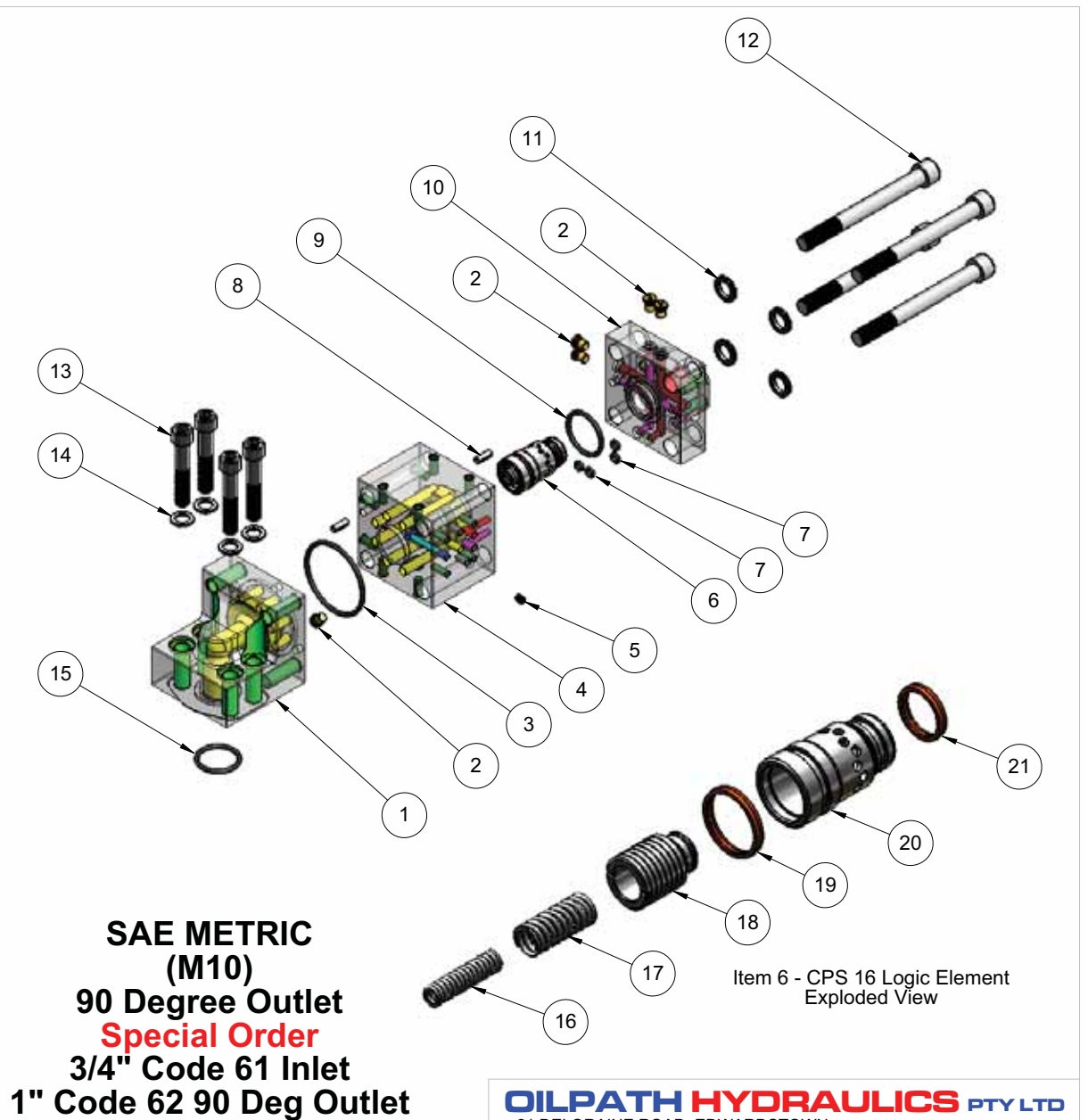
Use Loctite Nickel Anti-Seize on all SHCS during assembly.

Item No	Part No	Description	Qty.
16	416270	Spring, Inner - CPS16 Logic Element	1
17	416269	Spring, Outer - CPS16 Logic Element	1
18	238065	Poppet - CPS16 Logic Element	1
19	401457	32 Dia Seal - PU	1
20	246077	Body - CPS16 Logic Element	1
21	401456	25 Dia Seal - PU	1

REVISION DETAILS

REV	ECN	DATE	DESCRIPTION
A	-	26-08-09	PRODUCTION

OILPATH HYDRAULICS PTY LTD
This drawing is the property of the above named Company. Reproduction of this drawing is prohibited without the consent or authority of that Company.



**SAE METRIC
(M10)
90 Degree Outlet
Special Order
3/4" Code 61 Inlet
1" Code 62 90 Deg Outlet**

NOTES

- ALL DIMENSIONS IN mm
- ALL DRILL DEPTHS TO SHOULDER
- BREAK ALL SHARP EDGES

GENERAL TOLERANCE

0. = ±0.5mm
0.0 = ±0.25mm
0.00 = ±0.10mm
0.000 = ±0.02mm

UNLESS OTHERWISE STATED

SCALE: N/A SHEET 1 OF 1

OILPATH HYDRAULICS PTY LTD

21 DELORRAINE ROAD, EDWARDSTOWN
PH: +61 8 8277 4933 FAX: +61 8 8277 9126 A.B.N. 94 117 925 210

TITLE OP70 90 DEG 1 SAE Code 62 Flange Hoist Control Valve	
DRG NO. 07129063	MATL: Various - as individually noted
0 REV A3	DRN: IJW DATE: 26-08-2009
APP:	DATE:

Item No	Part No	Description	Qty.
1	255220	Burst Valve Outlet (90 Deg) Section 1" Code 61 Metric	1
2	410121	5/16" UNF Hollow Hex Plug - 350 Bar	5
3	401452	BS 230 Nitrile O-Ring - 90 Duro	1
4	240314	Orifice Plug - M6 x 8 x Dia 0.60mm Hole	1
5	505107	CPS 16 Logic Element	1
6	401453	BS 107 Nitrile O-Ring - 90 Duro	4
7	405004	M6 x 16 Sellock Spring Pin	2
8	401463	BS 221 Nitrile O-Ring - 90 Duro	1
9	255112	Burst Valve Inlet Section 3/4" Code 61 Metric	1
10	418062	NL14 Nord-Lock Washer	4
11	415403	M14 x 140 SHCS Grade 12.9	4
12	415182	M10 x 60 SHCS Grade 12.9	4
13	418067	NL10 Nord-Lock Washer	4
14	401467	BS 219 Nitrile O-Ring - 90 Duro	1
15	255002	Burst Valve Centre Section 3/4"	1

Torque Wrench Settings

M6 x 75 SHCS (Control Manifold) - 15 N m

M14 x 140 SHCS (End Caps) - 240 N m

Note:

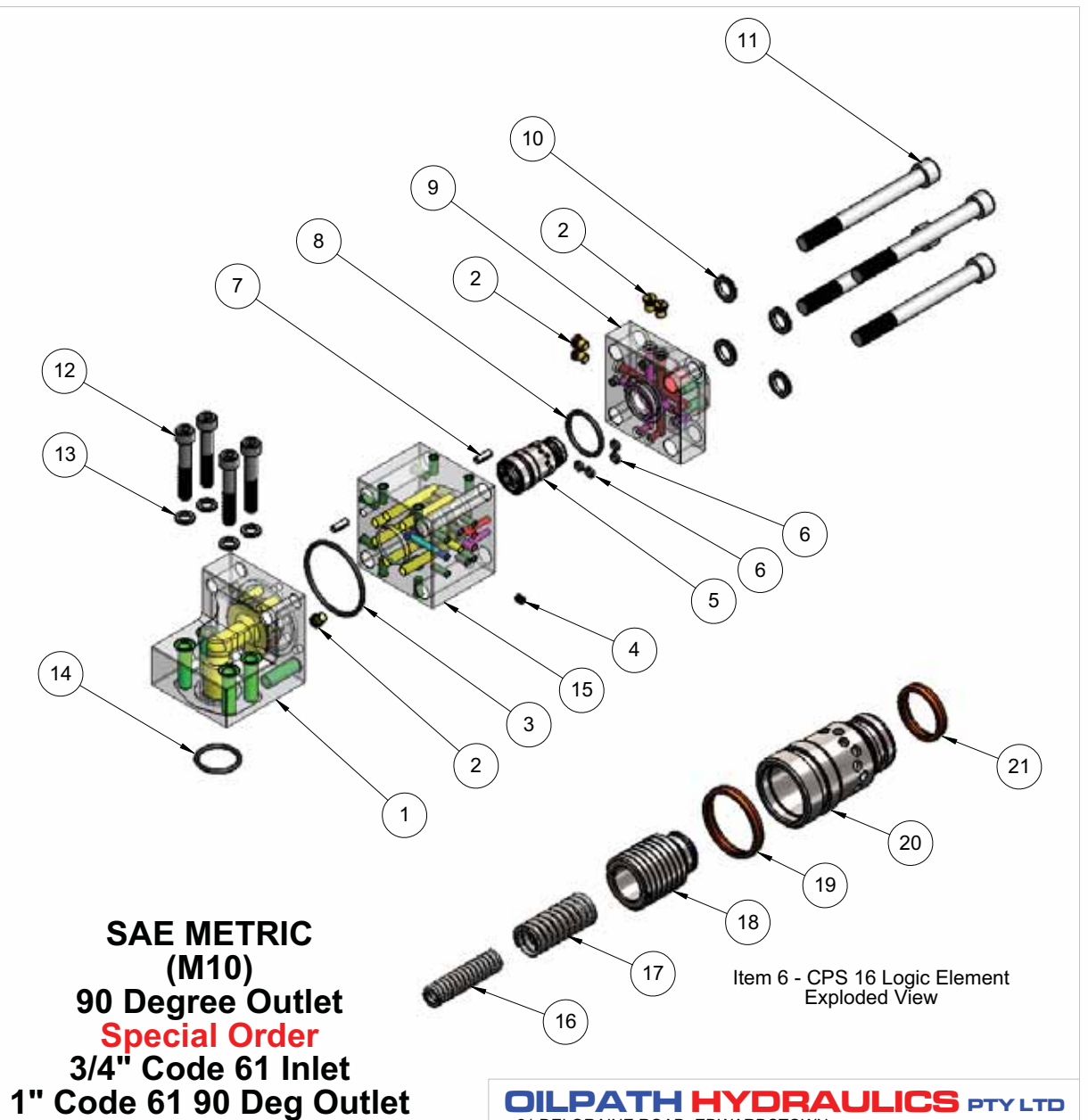
Use Loctite Nickel Anti-Seize on all SHCS during assembly.

Item No	Part No	Description	Qty.
16	416270	Spring, Inner - CPS16 Logic Element	1
17	416269	Spring, Outer - CPS16 Logic Element	1
18	238065	Poppet - CPS16 Logic Element	1
19	401457	32 Dia Seal - PU	1
20	246077	Body - CPS16 Logic Element	1
21	401456	25 Dia Seal - PU	1

REVISION DETAILS

REV	ECN	DATE	DESCRIPTION
A	-	21-10-09	PRODUCTION

OILPATH HYDRAULICS PTY LTD
This drawing is the property of the above named Company. Reproduction of this drawing is prohibited without the consent or authority of that Company.



**SAE METRIC
(M10)
90 Degree Outlet
Special Order
3/4" Code 61 Inlet
1" Code 61 90 Deg Outlet**

Item 6 - CPS 16 Logic Element Exploded View

NOTES

- ALL DIMENSIONS IN mm
- ALL DRILL DEPTHS TO SHOULDER
- BREAK ALL SHARP EDGES

GENERAL TOLERANCE

0. = ±0.5mm
0.0 = ±0.25mm
0.00 = ±0.10mm
0.000 = ±0.02mm

UNLESS OTHERWISE STATED

SCALE: N/A SHEET 1 OF 1

OILPATH HYDRAULICS PTY LTD

21 DELORAIN ROAD, EDWARDSTOWN
PH: +61 8 8277 4933 FAX: +61 8 8277 9126 A.B.N. 94 117 925 210

TITLE OP70 90 DEG 1 SAE Code 61 Flange Hoist Control Valve

DRG NO.

07129064

MATL: Various - as individually noted

0 REV

A3



DRN: IJW

DATE: 21-10-2009

A

APP:

DATE:

DATE: