

ELECTRONIC CONTROLS

ELD-08 5.7in. Mono LCD Display w/J1939 Data Link



DESCRIPTION

A heavy-duty, stand-alone, 5.7-inch, monochrome LCD display module that can be connected to an SAE J1939 (CAN) data bus and is sealed to IP67 standards. Displayed data can originate with the vehicle's data bus. There are four backlit buttons. This display unit is well-suited for use in mobile, heavy-duty and off-highway vehicles and equipment.

FEATURES

- 320 x 240 pixel, transfective, liquid crystal display.
- Four addressable backlit buttons.
- 9 to 60 VDC operation.

RATINGS

COMMUNICATION: CAN SAE J1939

ELECTRICAL:

Power Supply: 9 to 60 VDC;

Current Consumption: 210mA @ 24 VDC

Protection: -24V Reverse

Data Bus: SAE J1939 (CAN)

Memory: Program Flash: 256KB; Data Flash: 1MB; EEPROM: 64KB; SRAM: 256KB

Connector: M12, 5-Pin

DISPLAY:

Type: Positive, Transfective, FSTN

Viewing Angle: 12:00

Backlighting: Four Buttons

ENVIRONMENTAL RATINGS:

Operating Temperature: -20°C to +65°C

Sealed against Contamination: IP67

MATERIAL:

Housing and Bezel: Black polycarbonate ABS Plastic front; Aluminum Housing

TO ORDER

Model No: 4000701

Configuration Kit: Part No. 4206310

Installation Cable for System

Integration: Model M12-5 Cable with Harness Assembly, Part No. 4000680

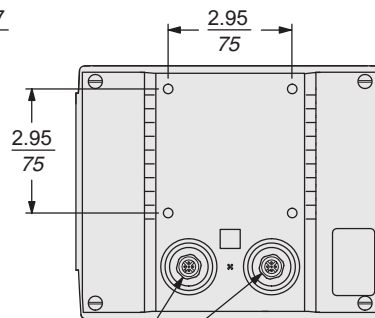
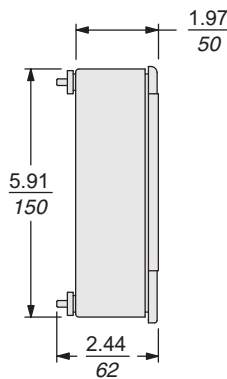
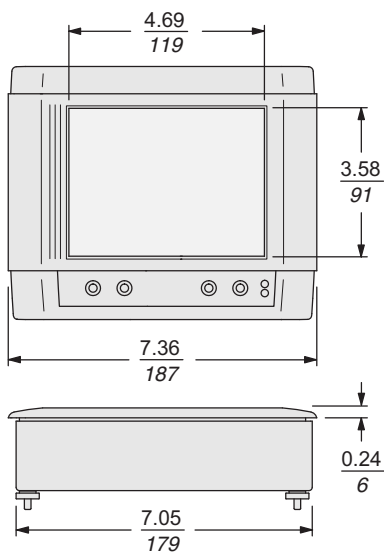
Mating Connector, DTM04-6S:

Part No. 4001973

Video Electronic 100-Style Mount

(Industry Standard)

DIMENSIONS



Recommended Panel Cutout:
Width: 6.85"/174mm
Height: 5.71"/145mm
Corner Radius: 0.177"/4.5mm

INCH
MILLIMETRE

All Dimensions
for Reference Only.

Pin No.	Function
1	Ground
2	Vcc 9 to 60 VDC
3	CAN Ground
4	CAN_H
5	CAN_L