

# **OILPATH HYDRAULICS** PTY LTD

21 DELORAIN ROAD, EDWARDSTOWN

PH: +61 8 8277 4933 FAX: +61 8 8277 9126 A.B.N. 94 117 925 210

## **1-1/4" Series Hose Burst Valves**

---

<b>Part No.</b>	<b>Style</b>	<b>Description</b>
<b>07200062</b>	<b>Inline</b> <b>Code 62</b>	SAE Code 62 Flange (M14) 5000* psi (350* bar) (800 l/m)
<b>07209061</b>	<b>90 Degree</b> <b>Code 62</b>	SAE Code 62 Flange (M14) – Cylinder Port is at 90 Degrees 5000* psi (350* bar) (800 l/m) <i>A 90 Degree Mounting Kit is Supplied: containing four M14 x 70 Socket Head Cap Screws, four 14mm Lock Washers + one BS-222 O-Ring</i>
<b>070209161</b>	<b>90 Degree</b> <b>Code 61</b>	SAE Code 61 1" Flanges (M10) – Cylinder Port is at 90 Degrees 5000* psi (350* bar) (800 l/m) <b>Note: Special Assembly: 1-1/4" Hose Burst Valve with 1" Code 61 SAE Flange Ports</b> <i>A 90 Degree Mounting Kit is Supplied: containing four M10 x 60 Socket Head Cap Screws, four 10mm Lock Washers + one BS-219 O-Ring</i>

---

*This is a complete listing of all available configurations as at 12<sup>th</sup> August, 2009 for this Series of Hose Burst Valves.*

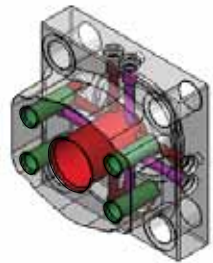
*Oilpaths modular design offers a variety of Inlet and Outlet sections for alternative Porting layouts.*

*Please contact Oilpath Hydraulics for any variations not listed.*

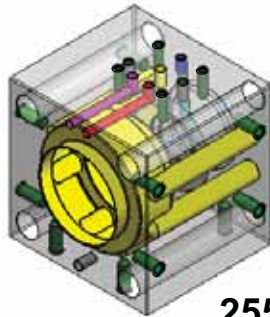
---

*\* Please note that the Maximum Pressure Rating is dependant on the Grade of Bolts or Socket Head Cap Screws used to secure the Code 61 or 62 Flanges to the Ports*

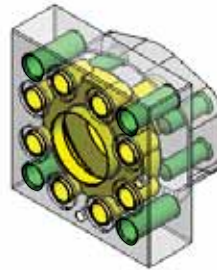
Effective 14 September 2009



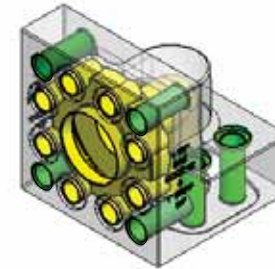
**255117**  
Inlet Section 1-1/4"  
Code 62 Metric (M14)



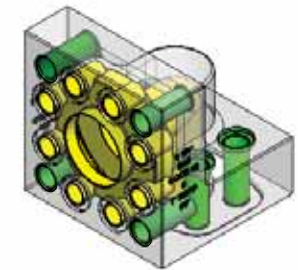
**255004**  
Centre Section 1-1/4"  
Common to all Assemblies



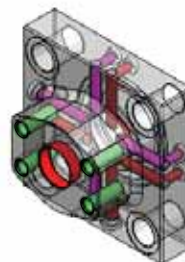
**255108**  
Inline Outlet Section 1-1/4"  
Code 62 Metric (M14)



**255217**  
90 DEG Outlet Section 1-1/4"  
Code 62 Metric (M14)



**255218**  
90 DEG Outlet Section 1-1/4"  
1" SAE Flange  
Code 61 Metric (M10)



**255121**  
Inlet Section 1-1/4"  
1" SAE Flange  
Code 61 Metric (M10)

# 1-1/4" Series

**OILPATH HYDRAULICS PTY LTD**

21 DELORAINIE ROAD, EDWARDSTOWN  
PH: +61 8 8277 4933 FAX: +61 8 8277 9126 A.B.N. 94 117 925 210

REVISION DETAILS			
REV	ECN	DATE	DESCRIPTION
A	-	08-04-09	PRODUCTION

**OILPATH HYDRAULICS PTY LTD**  
This drawing is the property of the above named Company. Reproduction of this drawing is prohibited without the consent or authority of that Company.

**NOTES**

- ALL DIMENSIONS IN mm
- ALL DRILL DEPTHS TO SHOULDER
- BREAK ALL SHARP EDGES

**GENERAL TOLERANCE**

0. = ±0.5mm  
0.0 = ±0.25mm  
0.00 = ±0.10mm  
0.000 = ±0.02mm



UNLESS OTHERWISE STATED

SCALE: 1:3 SHEET 1 OF 1

TITLE 1-1/4" Hose Burst Valve Components		MATERIAL: Various - as individually noted	
DRG NO.	Reference	DRN: IJW	DATE: 08-04-2009
0 REV	A3	APP:	DATE:
A			

Item No	Part No	Description	Qty.
1	255108	Burst Valve Outlet (Inline) Section 1-1/4" Code 62 Metric	1
2	401468	BS 115 Nitrile O-Ring - 90 Duro	8
3	401465	BS 225 Nitrile O-Ring - 90 Duro	1
4	410121	5/16" UNF Hollow Hex Plug - 350 Bar	5
5	255004	Burst Valve Centre Section 1-1/4"	1
6	240145	Orifice Plug - M6 x 8 x Dia 1.0mm Hole	1
7	505109	CPS32 Logic Element	1
8	401453	BS 107 Nitrile O-Ring - 90 Duro	4
9	405004	M6 x 16 Sellock Spring Pin	2
10	401452	BS 230 Nitrile O-Ring - 90 Duro	1
11	255117	Burst Valve Inlet Section 1-1/4" Code 62 Metric	1
12	418064	NL16 Nord-Lock Washer	4
13	415406	M16 x 160 SHCS Grade 12.9	4

### Torque Wrench Settings

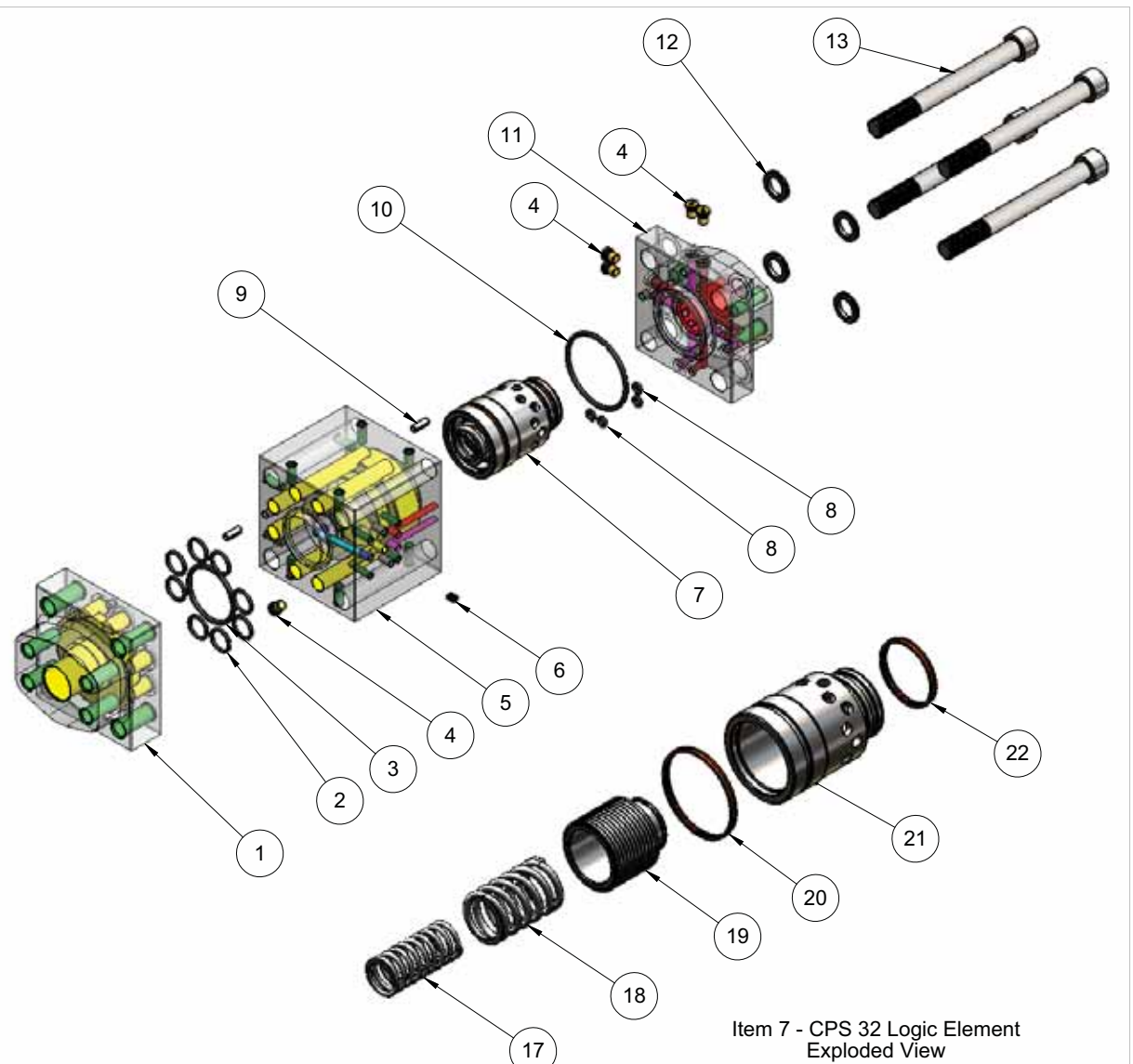
M6 x 75 SHCS (Control Manifold) - 15 N m

M16 x 160 SHCS (End Caps) - 360 N m

### Note:

Use Loctite Nickel Anti-Seize on all SHCS during assembly.

Item No	Part No	Description	Qty.
17	416274	Spring, Inner - CPS32 Logic Element	1
18	416273	Spring, Outer - CPS32 Logic Element	1
19	238067	Poppet - CPS32 Logic Element	1
20	401460	60 Dia Seal - PU	1
21	246079	Body - CPS32 Logic Element	1
22	401459	45 Dia Seal - PU	1



Item 7 - CPS 32 Logic Element Exploded View

**SAE METRIC (M14)**

**OILPATH HYDRAULICS PTY LTD**

21 DELORAINE ROAD, EDWARDSTOWN  
PH: +61 8 8277 4933 FAX: +61 8 8277 9126 A.B.N. 94 117 925 210

TITLE OP70 INLINE 1-1/4 SAE CODE 62 Flange Hoist Control Valve		MATERIAL: Various - as individually noted	
DRG NO. <b>07200062</b>		DRN: IJW	DATE: 06-02-2009
0 REV	<b>A3</b>	CKD:	DATE:
<b>A</b>		APP:	DATE:

REVISION DETAILS			
REV	ECN	DATE	DESCRIPTION
A	-	06-02-09	PRODUCTION

**OILPATH HYDRAULICS PTY LTD**  
This drawing is the property of the above named Company. Reproduction of this drawing is prohibited without the consent or authority of that Company.

### NOTES

- ALL DIMENSIONS IN mm
- ALL DRILL DEPTHS TO SHOULDER
- BREAK ALL SHARP EDGES

### GENERAL TOLERANCE

0. = ±0.5mm  
0.0 = ±0.25mm  
0.00 = ±0.10mm  
0.000 = ±0.02mm

UNLESS OTHERWISE STATED

SCALE: N/A SHEET 1 OF 1

Item No	Part No	Description	Qty.
1	255217	Burst Valve Outlet (90 Deg) Section 1-1/4" Code 62 Metric	1
2	401468	BS 115 Nitrile O-Ring - 90 Duro	8
3	401465	BS 225 Nitrile O-Ring - 90 Duro	1
4	410121	5/16" UNF Hollow Hex Plug - 350 Bar	5
5	255004	Burst Valve Centre Section 1-1/4"	1
6	240145	Orifice Plug - M6 x 8 x Dia 1.0mm Hole	1
7	505109	CPS32 Logic Element	1
8	401453	BS 107 Nitrile O-Ring - 90 Duro	4
9	405004	M6 x 16 Sellock Spring Pin	2
10	401452	BS 230 Nitrile O-Ring - 90 Duro	1
11	255117	Burst Valve Inlet Section 1-1/4" Code 62 Metric	1
12	418064	NL16 Nord-Lock Washer	4
13	415406	M16 x 160 SHCS Grade 12.9	4
14	415509	M14 x 70 SHCS Grade 12.9	4
15	418062	NL14 Nord-Lock Washer	4
16	401464	BS 222 Nitrile O-Ring - 90 Duro	1

### Torque Wrench Settings

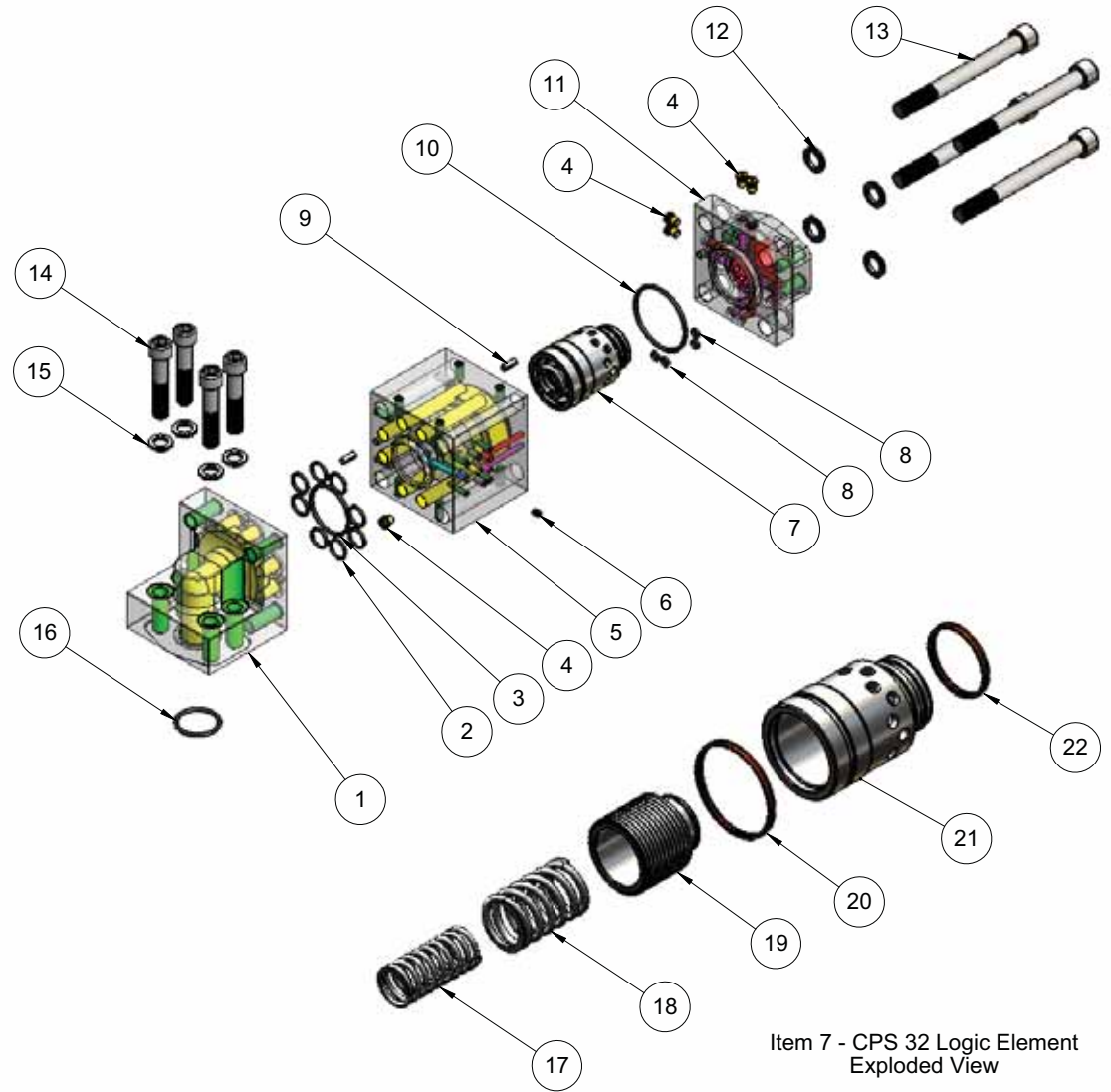
M6 x 75 SHCS (Control Manifold) - 15 N m

M16 x 160 SHCS (End Caps) - 360 N m

### Note:

Use Loctite Nickel Anti-Seize on all SHCS during assembly.

Item No	Part No	Description	Qty.
17	416274	Spring, Inner - CPS32 Logic Element	1
18	416273	Spring, Outer - CPS32 Logic Element	1
19	238067	Poppet - CPS32 Logic Element	1
20	401460	60 Dia Seal - PU	1
21	246079	Body - CPS32 Logic Element	1
22	401459	45 Dia Seal - PU	1



Item 7 - CPS 32 Logic Element Exploded View

## SAE METRIC (M14)

**OILPATH HYDRAULICS PTY LTD**

21 DELORAINE ROAD, EDWARDSTOWN  
PH: +61 8 8277 4933 FAX: +61 8 8277 9126 A.B.N. 94 117 925 210

TITLE  
OP70 90 DEG 1-1/4 SAE CODE 62 Flange Hoist Control Valve

DRG NO. 07209062 MATL: Various - as individually noted

DRN: IJW DATE: 06-02-2009

APP: CKD: DATE:

APP: DATE:

REVISION DETAILS			
REV	ECN	DATE	DESCRIPTION
A	-	06-02-09	PRODUCTION

**OILPATH HYDRAULICS PTY LTD**  
This drawing is the property of the above named Company. Reproduction of this drawing is prohibited without the consent or authority of that Company.

### NOTES

- ALL DIMENSIONS IN mm
- ALL DRILL DEPTHS TO SHOULDER
- BREAK ALL SHARP EDGES

### GENERAL TOLERANCE

0. = ±0.5mm  
0.0 = ±0.25mm  
0.00 = ±0.10mm  
0.000 = ±0.02mm

UNLESS OTHERWISE STATED

SCALE: N/A SHEET 1 OF 1

0 REV A3



DATE:

Item No	Part No	Description	Qty.
1	255218	Burst Valve Outlet (90 Deg) Section 1" Code 61 Metric	1
2	401468	BS 115 Nitrile O-Ring - 90 Duro	8
3	401465	BS 225 Nitrile O-Ring - 90 Duro	1
4	410121	5/16" UNF Hollow Hex Plug - 350 Bar	5
5	255004	Burst Valve Centre Section 1-1/4"	1
6	240145	Orifice Plug - M6 x 8 x Dia 1.0mm Hole	1
7	505109	CPS32 Logic Element	1
8	401453	BS 107 Nitrile O-Ring - 90 Duro	4
9	405004	M6 x 16 Sellock Spring Pin	2
10	401452	BS 230 Nitrile O-Ring - 90 Duro	1
11	255121	Burst Valve Inlet Section 1" Code 61 Metric	1
12	418064	NL16 Nord-Lock Washer	4
13	415406	M16 x 160 SHCS Grade 12.9	4
14	415182	M10 x 60 SHCS Grade 12.9	4
15	418067	NL10 Nord-Lock Washer	4
16	401467	BS 219 Nitrile O-Ring - 90 Duro	1

### Torque Wrench Settings

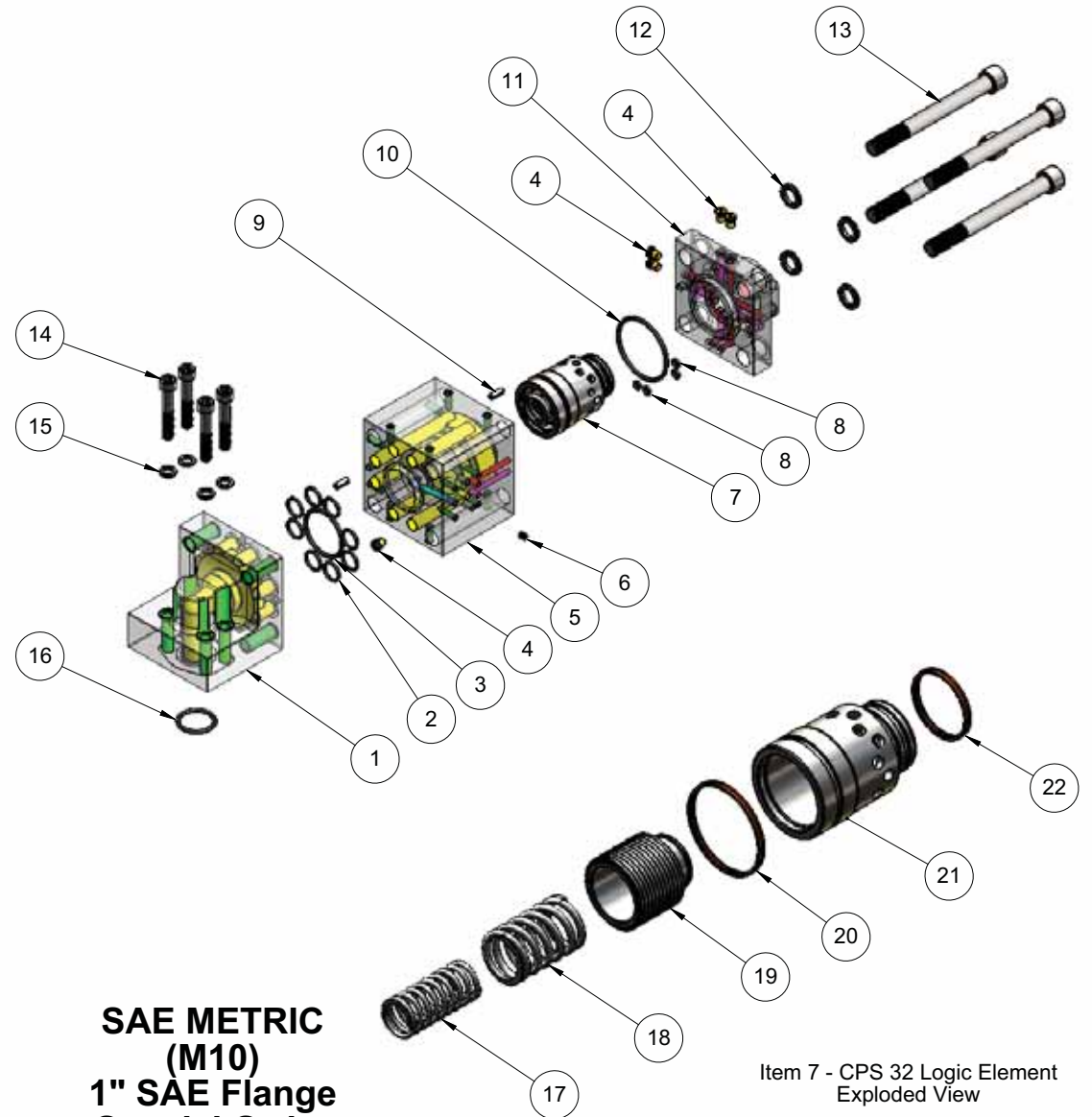
M6 x 75 SHCS (Control Manifold) - 15 N m

M16 x 160 SHCS (End Caps) - 360 N m

### Note:

Use Loctite Nickel Anti-Seize on all SHCS during assembly.

Item No	Part No	Description	Qty.
17	416274	Spring, Inner - CPS32 Logic Element	1
18	416273	Spring, Outer - CPS32 Logic Element	1
19	238067	Poppet - CPS32 Logic Element	1
20	401460	60 Dia Seal - PU	1
21	246079	Body - CPS32 Logic Element	1
22	401459	45 Dia Seal - PU	1



**SAE METRIC  
(M10)  
1" SAE Flange  
Special Order**

Item 7 - CPS 32 Logic Element Exploded View

REVISION DETAILS			
REV	ECN	DATE	DESCRIPTION
A	-	05-08-09	PRODUCTION

**OILPATH HYDRAULICS PTY LTD**  
This drawing is the property of the above named Company. Reproduction of this drawing is prohibited without the consent or authority of that Company.

### NOTES

- ALL DIMENSIONS IN mm
- ALL DRILL DEPTHS TO SHOULDER
- BREAK ALL SHARP EDGES

### GENERAL TOLERANCE

0. = ±0.5mm  
0.0 = ±0.25mm  
0.00 = ±0.10mm  
0.000 = ±0.02mm

UNLESS OTHERWISE STATED

SCALE: N/A SHEET 1 OF 1

**OILPATH HYDRAULICS PTY LTD**

21 DELORAINE ROAD, EDWARDSTOWN  
PH: +61 8 8277 4933 FAX: +61 8 8277 9126 A.B.N. 94 117 925 210

TITLE		DRG NO.		MATERIAL	
OP70 90 DEG 1-1/4 SAE (CODE 61 1" Flange) Hoist Control Valve		070209161		Various - as individually noted	
REV	A3	DRN:	IJW	DATE:	05-08-2009
APP:		CKD:		DATE:	
		APP:		DATE:	